

User manual

Inclination Sensors with CANopen Interface

Version: 1.7

Date: 2021-07-30



referenceLINE

IS1TK360-O-RL

IS2TK090-O-RL

classicLINE

IS1BP360-O-CL

IS2BP090-O-CL

basicLINE

IS1MA360-O-BL

IS2MA090-O-BL

IS1BP360-O-BL

IS2BP090-O-BL

IS1SP360-O-BL

IS2SP090-O-BL

IS1SP360-O-BL-10

IS2SP090-O-BL-10

Revision History

Date	Revision	Changes
2014-05-28	0	first version
2015-03-30	1	BasicLine in big plastic housing and aluminium housing added
2016-03-07	2	EMC data BasicLine added
2017-01-25	3	MTTF values and digital filter default values added
2017-02-09	4	BasicLine in small plastic housing with cable connection added Assembly drawings adjusted
2017-10-25	5	pin designation M12- plug and female connector + M8 plug connector
2018-05-22	6	Updating CE conformity
2021-07-30	7	Housing changes on plastic housing / Outer dimensions not altered Applications "Solar thermal" and "photo-voltaic systems" deleted without replacement

© Copyright 2021 GEMAC Chemnitz GmbH

This document is subject to change without notice.

We constantly work to further develop of our products. We reserve any changes of the scope of delivery in shape, equipment and technology for ourselves. No claims can be made from the details, illustrations and descriptions in this document.

Any kind of duplication, reprocessing and translation of this document as well as excerpts from it require the written permission of GEMAC Chemnitz GmbH.

All rights according to the copyright remain explicitly reserved for GEMAC Chemnitz GmbH.

Note:

To use the inclination sensor, and for proper understanding of this manual, general knowledge of the field bus systems CAN and CANopen is required.

Table of Contents

1 Overview.....	1
1.1 Characteristics.....	1
1.2 Applications.....	1
2 Technical Data IS1TK360-O-RL + IS2TK090-O-RL.....	2
3 Technical Data IS1BP360-O-CL + IS2BP090-O-CL.....	5
4 Technical Data IS1MA360-O-BL + IS2MA090-O-BL.....	9
5 Technical Data IS1BP360-O-BL + IS2BP090-O-BL.....	13
6 Technical Data IS1SP360-O-BL, IS2SP090-O-BL, IS1SP360-C-BL-10 + IS2SP090-O-BL-10.....	16
7 Mounting.....	21
7.1 Position of Drilling Holes.....	21
8 Connection.....	24
8.1 Connector Pin Out.....	24
8.2 Bus-Termination Resistor.....	24
9 Function Description.....	25
9.1 Overview of Function.....	25
10 CANopen Interface.....	26
10.1 CANopen Structure.....	26
10.2 CANopen Device Model.....	26
10.3 COB-IDs.....	26
10.4 Network Management: NMT.....	27
10.5 Process Data: PDO (TPDO1).....	27
10.5.1 PDO Communication Types.....	28
10.5.1.1 Individual Request (Polling).....	28
10.5.1.2 Cyclic Transmission.....	28
10.5.1.3 Synchronous Transmission.....	28
10.5.1.4 Event-controlled transmission on inclination change (manufacturer specific).....	28
10.6 Service Data: SDO.....	29
10.7 Object Dictionary.....	29
10.7.1 Communication Parameters (according to CiA DS-301).....	30
10.7.1.1 Error Register (1001h).....	31
10.7.1.2 Manufacturer Status Register (1002h).....	31
10.7.1.3 Pre-defined Error Field (1003h).....	32
10.7.1.4 Saving (1010h) and Loading (1011h) of Parameters.....	32
10.7.1.5 Transmit PDO1 – Transmission Type (1800h).....	33
10.7.2 Manufacturer Specific Part.....	33
10.7.2.1 Automatic Bus-Off Recovery (2002h).....	33
10.7.2.2 Digital Filter Settings (3000h).....	33
10.7.2.3 TPDO1 Transmission on Inclination Change (3001h).....	34
10.7.3 Device Profile Specific Part (according to CiA DS-410).....	35
10.7.3.1 Resolution (6000h).....	35
10.7.3.2 Inclination values longitudinal and lateral (6010h and 6020h).....	35

10.7.3.3 Operating Parameters (6011h and 6021h).....	35
10.7.3.4 Zero Point Adjustment: Preset Value, Offset Value, Differential Offset Value (60x1/2/3h)...	36
10.8 Emergency Objects.....	37
10.9 Failure monitoring.....	38
10.9.1 Nodeguarding / Lifeguarding.....	38
10.9.2 Heartbeat.....	38
10.10 LSS: Layer Setting Service (according to CiA DSP-305).....	39
10.10.1 Setting of Node-ID and Baud Rate.....	39
10.11 Automatic Baud Rate Detection (according to CiA AN-801).....	39
10.12 Active compensation of thermal accuracy shift.....	40
10.13 Status LED (according to CiA DR-303-3).....	40
11 Service.....	41
11.1 Calibration.....	41
11.2 Service.....	41
11.2.1 Reshipment.....	41
11.2.2 Support.....	41
11.2.3 Warranty and limitation of liability.....	41
12 Sensor configuration.....	42
12.1 Inclination sensor programming adapter.....	42
12.2 PC software ISDControl.....	43
13 Ordering Information.....	44

List of Tables

Table 1: Technical Data IS1TK360-O-RL + IS2TK090-O-RL.....	2
Table 2: CE and CANopen conformity IS1TK360-O-RL + IS2TK090-O-RL.....	3
Table 3: Electromagnetic Compatibility (EMC) IS1TK360-O-RL + IS2TK090-O-RL.....	4
Table 4: Technical Data IS1BP360-O-CL + IS2BP090-O-CL.....	5
Table 5: CE and CANopen conformity IS1BP360-O-CL + IS2BP090-O-CL.....	6
Table 6: Electromagnetic Compatibility (EMC) IS1BP360-O-CL + IS2BP090-O-CL.....	7
Table 7: Technical Data IS1MA360-O-BL + IS2MA090-O-BL.....	9
Table 8: CE and CANopen conformity IS1MA360-O-BL + IS2MA090-O-BL.....	10
Table 9: Electromagnetic Compatibility (EMC) IS1MA360-O-BL + IS2MA090-O-BL.....	11
Table 10: Technical Data IS1BP360-O-BL + IS2BP090-O-BL.....	13
Table 11: CE and CANopen conformity IS1BP360-O-BL + IS2BP090-O-BL.....	14
Table 12: Electromagnetic Compatibility (EMC) IS1BP360-O-BL + IS2BP090-O-BL.....	15
Table 13: Technical Data IS1SP360-O-BL(-10) + IS2SP090-O-BL(-10).....	16
Table 14: CE and CANopen conformity IS1SP360-O-BL(-10) + IS2SP090-O-BL(-10).....	17
Table 15: Electromagnetic Compatibility (EMC) IS1SP360-O-BL(-10) + IS2SP090-O-BL(-10).....	18
Table 16: Calculation of the COB-IDs for Pre-defined Connection Set.....	27
Table 17: TPDO1 Default mapping Type: IS1xx360-O-xL(-10).....	28
Table 18: TPDO1 Default mapping Type: IS2xx090-O-xL(-10).....	28
Table 19: Communication Parameters in the Object Dictionary.....	31
Table 20: Error Register (1001h).....	31
Table 21: Manufacturer Status Register (1002h).....	32
Table 22: Error Entry in Pre-defined Error Field (1003h).....	32
Table 23: Transmit PDO1 - Transmission Type (1800h/02h).....	33
Table 24: Manufacturer Specific Part of the Object Dictionary.....	33
Table 25: Filter selection.....	34
Table 26: Device Profile Specific Part of the Object Dictionary.....	35
Table 27: Operating Parameters (6011h and 6021h).....	36
Table 28: Zero Point Adjustment.....	36
Table 29: Emergency Object.....	37
Table 30: Emergency Error Codes.....	37
Table 31: Emergency: Manufacturer Specific Error Field.....	37
Table 32: LSS Baud Rate Index according to CiA DSP-305.....	39
Table 33: Status and Error Display of the Two-Color LED.....	40
Table 34: Ordering Information.....	44

List of Figures

Figure 1: Measurement axes orientation IS1TK360-O-RL + IS2TK090-O-RL metal housing.....	4
Figure 2: Measurement axes orientation IS1BP360-O-CL + IS2BP090-O-CL plastic housing.....	8
Figure 3: Measurement axes orientation - IS1MA360-O-BL + IS2MA090-O-BL aluminium housing.....	12
Figure 4: Measurement axes orientation IS1BP360-O-BL + IS2BP090-O-BL big plastic housing.....	15
Figure 5: Measurement axes orientation IS1SP360-O-BL(-10) + IS2SP090-O-BL(-10) small plastic housing (factory default settings).....	19
Figure 6: CiA CANopen Conformance Test Certificate.....	20
Figure 7: Dimensioned Sketch of metal housing (TK) (dimensions in mm).....	21
Figure 8: Dimensioned Sketch of aluminum housing (MA) (dimensions in mm).....	22
Figure 9: Dimensioned Sketch of big plastic housing (BP) (dimensions in mm).....	22
Figure 10: Dimensioned Sketch of small plastic housing (SP) with M8 connector (dimensions in mm).....	23
Figure 11: Dimensioned Sketch of small plastic housing (SP) with cable (dimensions in mm).....	23
Figure 12: Dimensioned Sketch of connection cable small plastic housing (SP) (dimensions in mm).....	23
Figure 13: M12 Plug Connector Pin Out CAN Bus.....	24
Figure 14: M12 Female Connector Pin Out CAN Bus.....	24
Figure 15: M8 Plug Connector Pin Out CAN Bus.....	24
Figure 16: CANopen Structure.....	26
Figure 17: NMT State diagram.....	27
Figure 18: SDO Protocol – Access to Object Dictionary.....	29
Figure 19: Impulse and amplitude response of the two filters.....	34
Figure 20: Starter kit.....	42
Figure 21: PC software.....	43

Term and Abbreviation Definition

Baud rate	Speed of data transfer (1 Baud = 1 Bit/s)
BOOL	Data type BOOLEAN (8 Bit, 0 = FALSE, 1 = TRUE)
CAN	Controller Area Network
CANopen	Standardized application layer for CAN devices
CiA	CAN in Automation e.V.
CiA DS	CiA Draft Standard (specification published by CiA)
CiA DS-301	Specification of the CANopen application layer and the communication parameters in the OD
CiA DP	CiA Device Profile (device profile published by CiA)
CiA DR	CiA Draft Recommendation (recommended implementation published by CiA)
CiA DR-303-3	Recommended implementation for display of CANopen-device states and errors by LED(s)
CiA DSP	Draft Standard Proposal (specification draft published by CiA)
CiA DSP-410	Specification draft of the device profile 410 for inclination sensors
Client	CANopen station which claims the service of a server
COB	CANopen Communication Object
COB-ID	CAN-Identifier of a COB
DOMAIN	Data type DOMAIN (arbitrary large block of data, e.g. program code)
EDS	Electronic Data Sheet (of a CANopen device)
EMCY	Emergency Object (Object that informs of errors)
xxxxh/xxh	Index/Subindex, position of an OD parameter
Heartbeat	Surveillance mechanism for CANopen stations
ID	Identifier of a CAN message
INT8	Data type INTEGER8 (8 Bit, complement on two, -128...127)
INT16	Data type INTEGER16 (16 Bit, two's complement, -32768...32767)
longitudinal/ lateral	Axis assignment (X/Y-axis)
LSS	Layer Setting Service
NMT	Network Management Object (Object to set and check CANopen device states)
Node-ID	Node number of a CANopen device (1...127)
Node- / Lifeguarding	Surveillance mechanism for CANopen stations
Operational	CANopen device state (SDO, PDO, EMCY, NMT possible)
OD	Object dictionary (virtual directory with device parameters, addressed by index and subindex)
PDO	Process Data Object (Object for transfer of process data without protocol offset)
PDO Mapping	Sequence in which process data is arranged in a PDO
Pre-Operational	CANopen device state (SDO, EMCY, NMT possible)
Pre-defined Connection Set	In CiA DS-301 defined concept how COB IDs of the communication objects have to be calculated in dependence of the Node ID
ro	Read only, access right „read only“ of an object in the object dictionary
RTR	Remote Transmit Request, Bit which causes the receiver to send data
rw	Write and read, access right „write and read“ of an object in the object dictionary
SDO	Service Data Object (object for access to the object dictionary)
Server	CANopen station which offers a service for one/several client(s)
Stopped	CANopen device state (only NMT possible)
UNS8	Data type UNSIGNED8 (8 Bit, without sign, 0...255)
UNS16	Data type UNSIGNED16 (16 Bit, without sign, 0...65535)
UNS32	Data type UNSIGNED32 (32 Bit, without sign, 0...4294967296)
VSTR	Data type VISIBLE STRING (ASCII-string inclusive end identifier 0h)
wo	write only, access right „write only“ of an object in the object dictionary

1 Overview

1.1 Characteristics

- 1-dimensional inclination sensors with measurement range: 360° ($\pm 180^\circ$)
- 2-dimensional inclination sensors with measurement range: $\pm 90^\circ$ (X/Y)
- High sampling rate and bandwidth
- High resolution (0.01°)
- High accuracy (0,05° IS2TK090-O-RL + IS2BP090-O-CL and 0,15° IS2xx090-O-BL(-10))
- Compensated temperature coefficient for ISxTKxxx-O-RL
(10x improved temperature coefficient to ISxBPxxx-O-CL)
- Compensated cross sensitivity
- Programmable vibration suppression
- Comfortable CANopen interface
 - Meets the CiA DS-301, device profile CiA DSP-410
 - Baud rates from 10 kBit/s to 1 MBit/s
 - Automatic baud rate detection
 - Setting Node ID and baud rate via LSS service
- Functions:
 - One TPDO dynamically mappable (RTR, cyclic, event-controlled, synchronized)
 - SYNC Consumer (synchronized transmission of the TPDO after receiving a SYNC message)
 - EMCY Producer
 - Failure monitoring via Heartbeat or Nodeguarding / Lifeguarding
- Metal housing with stainless steel base plate or UV resistant, impact strength plastic housing
- Suitable for industrial use:
 - Temperature range plastic housing: -40 °C to +80 °C
 - Degree of protection: IP65/67

The inclination sensors IS1xx360-O-xL(-10) are suitable to measure the inclination in the measurement range of 360°. The 2-dimensional inclination sensors IS2xx090-O-xL(-10) are suitable to measure the inclination in 2 dimensions (X/Y) in the measurement range of 90°. To ensure a high accuracy, the sensors are calibrated at the factory.

The compact and robust design makes the sensors a suitable angle measurement device in rough surroundings for different applications in industry and automotive technology. A simple setting of all parameters, which are stored in the internal permanent memory, is possible via CAN bus interface.

1.2 Applications

- Agricultural and forestry machinery
- Construction machinery
- Crane and hoisting technology

2 Technical Data IS1TK360-O-RL + IS2TK090-O-RL

General Parameters ¹	IS1TK360-O-RL			IS2TK090-O-RL		
Measurement range	360°			±90°		
Resolution	0.01°			0.01°		
Accuracy	Range 0...360°	typical ±0.04°	maximum ±0.10°	Range up to ±60° up to ±70° up to ±80° up to ±85°	typical ±0.02° ±0.04° ±0.08° ±0.16°	maximum ±0.05° ±0.10° ±0.20° ±0.40°
Cross Sensitivity (compensated)	-			typ. ±0.09° (±0.10 %FS) max. ±0.45° (±0.50 %FS)		
Temperature coefficient (zero point)	typ. ±0.0008 °/K (typ. < ±0.10° over range -40 °C ... +80 °C)					
Sampling rate	80 Hz					
Cut-off frequency	typ. 20 Hz, 2 nd order (without digital filter) / 0.1 ... 25 Hz, 8 th order (with digital filter) Default digital filter: critically damped filter 8 th order at 2 Hz					
Operating temperature	-40 °C to +80 °C					
Characteristics						
Data rates	10 k, 20 k, 50 k, 62.5 k, 100 k, 125 k, 250 k, 500 k, 800 k Bit/s, 1 Mbit/s, autom. detection					
Functions	Angle request, cyclical and synchronized outputs, Digital filter (critically damped (default) or Butterworth lowpass, 8 th order), configuration via object dictionary					
Electrical Parameters						
Supply voltage	8 to 48 VDC					
Current consumption	<200 mA @ 24 V (P _{Peak} ≤4.8 W)					
Mechanical Parameters						
Connector CAN	2x sensor connector 5-pole M12 (male + female, loop through connection)					
Degree of protection	IP65/67					
Dimensions / Weight	Metal housing: 82 mm x 82 mm x 25 mm / ca. 310 g					
Reliability according EN ISO 13849-1²						
MTTF	194 years					
MTTFd	365 years					

Table 1: Technical Data IS1TK360-O-RL + IS2TK090-O-RL

1 All indicated angle accuracies are valid after a running time of 10 minutes at 25 °C, Cut-off frequency 0.3 Hz
Absolute calibration accuracy (at 25 °C): ±0.05°

2 This product is a standard product and no safety part in accordance with the machinery directive. The calculation is based on an average environment temperature of 40 °C and a usage of 8760 h/a.

CANopen conformity, Certificate# CiA201108-301V402/20-0143	
CiA DS-301, v4.2.0	Application layer and communication profile
CiA DS-410	Device profile for inclinometer
CiA DSP-305	Layer setting service (LSS) and protocols
CiA DR-303-3	Indicator specification (Status-LED)
CiA AN-801	Automatic bit-rate detection
CE conformity	
EC Directives	
2014/30/EU	EMC directive
2011/65/EU	RoHS directive
Harmonized standards	
DIN EN 13309:2010-12	Construction machinery - Electromagnetic compatibility of machines with internal power supply
DIN EN 50581:2013-02	Technical documentation for the assessment of electrical and electronic products with respect to the restriction of hazardous substances

Table 2: CE and CANopen conformity IS1TK360-O-RL + IS2TK090-O-RL

Electromagnetic Compatibility (EMC)

Transient Emissions

Radiated disturbance / Radio field strength	Limit curves broadband and narrowband DIN EN ISO 14982 (agricultural and forestry machinery) respectively DIN EN 13309 (construction machinery) 30 ... 1000 MHz (vertical and horizontal)
---	--

Immunity to Radio Frequency Fields (RF fields)

Strip line according to ISO 11452-5	Limits according to DIN EN ISO 14982 (agricultural and forestry machinery) respectively DIN EN 13309 (construction machinery) 20 ... 400 MHz 200 V/m (1 kHz AM) Performance criteria A
-------------------------------------	---

Anechoic chamber according to ISO 11452-2	Limits according to DIN EN ISO 14982 (agricultural and forestry machinery) respectively DIN EN 13309 (construction machinery) 200 ... 1000 MHz vertical, 100 V/m (1 kHz AM, 80 %) 800 ... 2000 MHz vertical, 100 V/m (PM, t = 577 μ s, period 4600 μ s) Performance criteria A
---	---

Immunity to Conducted Disturbances

Test pulse according to ISO 7637-2 (on-board power supply 24 VDC)	Test pulse	Severity level	Performance criteria
	1 -450 V	III	C
	2a +37 V	III	B
	2b +20 V	III	B
	3a -150 V	III	A
	3b +150 V	III	A
	4 -12 V	III	A
	5a +70 V	Ri = 10 Ω	A
	5b +36 V	Ri = 0.5 Ω	A

Immunity to Electromagnetic Discharge (ESD)

ESD according to ISO 10605	Limits according to DIN EN ISO 14982 (agricultural and forestry machinery) respectively DIN EN 13309 (construction machinery) discharge combination 330 pF / 330 Ω Contact discharge 8 kV bipolar (metallic parts) Air discharge 15 kV bipolar Performance criteria A
----------------------------	--

Table 3: Electromagnetic Compatibility (EMC) IS1TK360-O-RL + IS2TK090-O-RL

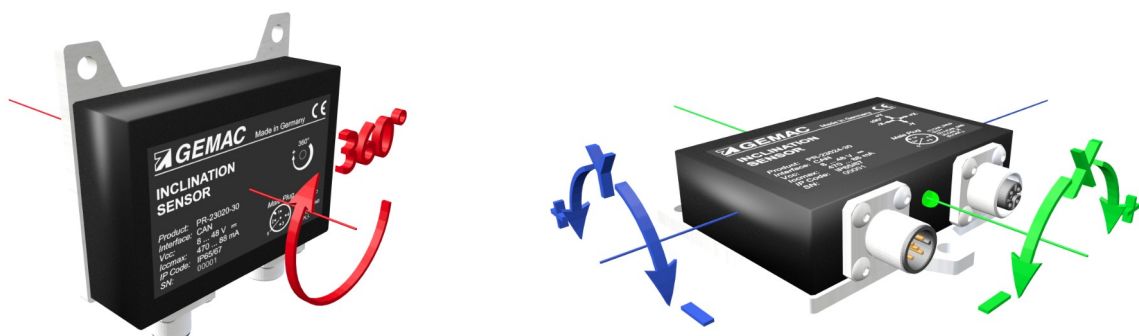


Figure 1: Measurement axes orientation IS1TK360-O-RL + IS2TK090-O-RL metal housing (factory default settings)

3 Technical Data IS1BP360-O-CL + IS2BP090-O-CL

General Parameters ³	IS1BP360-O-CL			IS2BP090-O-CL		
Measurement range	360°			±90°		
Resolution	0.01°			0.01°		
Accuracy	Range 0...360°	typical ±0.04°	maximum ±0.10°	Range up to ±60° up to ±70° up to ±80° up to ±85°	typical ±0.02° ±0.04° ±0.08° ±0.16°	maximum ±0.05° ±0.10° ±0.20° ±0.40°
Cross Sensitivity (compensated)	-			typ. ±0.09° (±0.10 %FS) max. ±0.45° (±0.50 %FS)		
Temperature coefficient (zero point)	typ. ±0.008 °/K					
Sampling rate	80 Hz					
Cut-off frequency	typ. 20 Hz, 2 nd order (without digital filter) / 0.1 ... 25 Hz, 8 th order (with digital filter) Default digital filter: critically damped filter 8 th order at 2 Hz					
Operating temperature	-40 °C to +80 °C					
Characteristics						
Data rates	10 k, 20 k, 50 k, 62.5 k, 100 k, 125 k, 250 k, 500 k, 800 k Bit/s, 1 MBit/s autom detection					
Functions	Angle request, cyclical and synchronized outputs, Digital filter (critically damped (default) or Butterworth lowpass, 8 th order), configuration via object dictionary					
Electrical Parameters						
Supply voltage	8 to 48 VDC					
Current consumption	<33 mA @ 24 V					
Mechanical Parameters						
Connector CAN	2x sensor connector 5-pole M12 (male + female, loop through connection)					
Degree of protection	IP65/67					
Dimensions / Weight	Plastic housing: 66 mm x 90 mm x 36 mm / ca. 215 g					
Reliability according EN ISO 13849-1⁴						
MTTF	438 years					
MTTFd	835 years					

Table 4: Technical Data IS1BP360-O-CL + IS2BP090-O-CL

3 All indicated angle accuracies are valid after a running time of 10 minutes at 25 °C, Cut-off frequency 0.3 Hz
Absolute calibration accuracy (at 25 °C): ±0.05°

4 This product is a standard product and no safety part in accordance with the machinery directive. The calculation is based on an average environment temperature of 40 °C and a usage of 8760 h/a.

CANopen conformity, Certificate# CiA201108-301V402/20-0143	
CiA DS-301, v4.2.0	Application layer and communication profile
CiA DS-410	Device profile for inclinometer
CiA DSP-305	Layer setting service (LSS) and protocols
CiA DR-303-3	Indicator specification (Status-LED)
CiA AN-801	Automatic bit-rate detection
CE conformity	
EC Directives	
2014/30/EU	EMC directive
2011/65/EU	RoHS directive
Harmonized standards	
DIN EN 61326-1:2013-07	Electrical equipment for measurement, control and laboratory use - EMC requirements - Part 1: General requirements
DIN EN 50581:2013-02	Technical documentation for the assessment of electrical and electronic products with respect to the restriction of hazardous substances

Table 5: CE and CANopen conformity IS1BP360-O-CL + IS2BP090-O-CL

Electromagnetic Compatibility (EMC)			
Transient Emissions			
Radiated disturbance / Radio field strength	Limit curves broadband and narrowband DIN EN ISO 14982 (agricultural and forestry machinery) respectively DIN EN 13309 (construction machinery) 30 ... 1000 MHz (vertical and horizontal)		
	Limits according to CISPR 11		
Immunity to Radio Frequency Fields (RF fields)			
Strip line according to ISO 11452-5	Limits according to DIN EN ISO 14982 (agricultural and forestry machinery) respectively DIN EN 13309 (construction machinery) 20 ... 400 MHz 200 V/m (1 kHz AM) Performance criteria A		
Anechoic chamber according to ISO 11452-2	Limits according to DIN EN ISO 14982 (agricultural and forestry machinery) respectively DIN EN 13309 (construction machinery) 200 ... 1000 MHz vertical / 400 ... 1000 MHz horizontal 100 V/m (1 kHz AM) Performance criteria A		
Radio Frequency Fields according to IEC 61000-4-3	Limits according to EN 61326-1		
Immunity to Conducted Disturbances			
Test pulse according to ISO 7637-2 (on-board power supply 24 VDC)	Test pulse	Severity level	Performance criteria
	1 -450 V	III	C
	2a +37 V	III	B
	2b +20 V	III	C
	3a -150 V	III	A
	3b +150 V	III	A
	4 -12 V	III	A
	5a +70 V	Ri = 1 Ω	A
	5b +36 V	Ri = 0.5 Ω	A
Burst according to IEC 61000-4-4	Limits according to EN 61326-1		
Surge according to IEC 61000-4-5	Limits according to EN 61326-1		
Conducted HF-Signals according to IEC 61000-4-6	Limits according to EN 61326-1		
Immunity to Electromagnetic Discharge (ESD)			
ESD according to ISO 10605	Limits according to DIN EN ISO 14982 (agricultural and forestry machinery) respectively DIN EN ISO 13309 (construction machinery) discharge combination 330 pF / 330 Ω Contact discharge 8 kV bipolar (metallic parts) Air discharge 15 kV bipolar Performance criteria A		
ESD according to IEC 61000-4-2	Limits according to EN 61326-1		

Table 6: Electromagnetic Compatibility (EMC) IS1BP360-O-CL + IS2BP090-O-CL

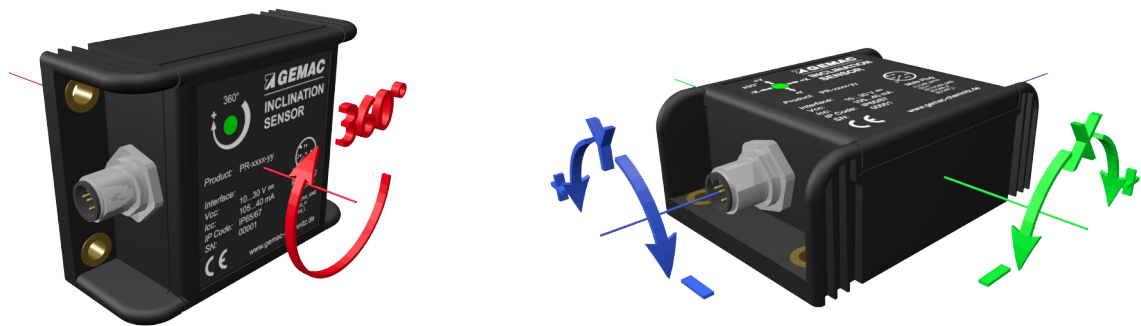


Figure 2: Measurement axes orientation IS1BP360-O-CL + IS2BP090-O-CL plastic housing (factory default settings)

4 Technical Data IS1MA360-O-BL + IS2MA090-O-BL

General Parameters ⁵	IS1MA360-O-BL			IS2MA090-O-BL		
Measurement range	360°			±90°		
Resolution	0.01°			0.01°		
Accuracy	Range 0...360°	typical ±0.15°	maximum ±0.25°	Range up to ±60° up to ±80°	typical ±0.10° ±0.20°	maximum ±0.20° ±0.30°
Cross Sensitivity (compensated)	-			typ. ±0.09° (±0.10 %FS) max. ±0.45° (±0.50 %FS)		
Temperature coefficient (zero point)	typ. ±0.008 °/K					
Sampling rate	80 Hz					
Cut-off frequency	typ. 20 Hz, 2 nd order (without digital filter) / 0.1 ... 25 Hz, 8 th order (with digital filter) Default digital filter: critically damped filter 8 th order at 2 Hz					
Operating temperature	-40 °C to +80 °C					
Characteristics						
Data rates	10 k, 20 k, 50 k, 62.5 k, 100 k, 125 k, 250 k, 500 k, 800 k Bit/s, 1 MBit/s automatic detection					
Functions	Angle request, cyclical and synchronized outputs, Digital filter (critically damped (default) or Butterworth lowpass, 8 th order), configuration via object dictionary					
Electrical Parameters						
Supply voltage	8 to 48 VDC					
Current consumption	<16 mA @ 24 V					
Mechanical Parameters						
Connector CAN	1x sensor connector 5-pole M12 (male)					
Degree of protection	IP65/67					
Dimensions / Weight	Aluminium housing: 58 mm x 90 mm x 31 mm / about 200 g					
Reliability according EN ISO 13849-1⁶						
MTTF	354 years					
MTTFd	664 years					

Table 7: Technical Data IS1MA360-O-BL + IS2MA090-O-BL

5 All indicated angle accuracies are valid after a running time of 10 minutes at 25 °C, Cut-off frequency 0.3 Hz
Absolute calibration accuracy (at 25 °C): ±0.05°

6 This product is a standard product and no safety part in accordance with the machinery directive. The calculation is based on an average environment temperature of 40 °C and a usage of 8760 h/a.

CANopen conformity, Certificate# CiA201108-301V402/20-0143	
CiA DS-301, v4.2.0	Application layer and communication profile
CiA DS-410	Device profile for inclinometer
CiA DSP-305	Layer setting service (LSS) and protocols
CiA DR-303-3	Indicator specification (Status-LED)
CiA AN-801	Automatic bit-rate detection
CE conformity	
EC Directives	
2014/30/EU	EMC directive
2011/65/EU	RoHS directive
Harmonized standards	
DIN EN 61326-1:2013-07	Electrical equipment for measurement, control and laboratory use - EMC requirements - Part 1: General requirements
DIN EN 50581:2013-02	Technical documentation for the assessment of electrical and electronic products with respect to the restriction of hazardous substances

Table 8: CE and CANopen conformity IS1MA360-O-BL + IS2MA090-O-BL

Electromagnetic Compatibility (EMC)

Transient Emissions

Radiated disturbance / Radio field strength	Limit curves broadband and narrowband DIN EN ISO 14982 (agricultural and forestry machinery) respectively DIN EN 13309 (construction machinery) 30 ... 1000 MHz (vertical and horizontal)
	Limits according to CISPR 11

Immunity to Radio Frequency Fields (RF fields)

Strip line according to ISO 11452-5	Limits according to DIN EN ISO 14982 (agricultural and forestry machinery) respectively DIN EN 13309 (construction machinery) 20 ... 400 MHz 200 V/m (1 kHz AM) Performance criteria A
Anechoic chamber according to ISO 11452-2	Limits according to DIN EN ISO 14982 (agricultural and forestry machinery) respectively DIN EN 13309 (construction machinery) 200 ... 1000 MHz vertical, 100 V/m (1 kHz AM, 80 %) 800 ... 2000 MHz vertical, 100 V/m (PM, t = 577 μs, period 4600 μs) Performance criteria A
Radio Frequency Fields according to IEC 61000-4-3	Limits according to EN 61326-1

Immunity to Conducted Disturbances

Test pulse according to ISO 7637-2 (on-board power supply 24 VDC)	Test pulse	Severity level	Performance criteria
	1 -450 V	III	C
	2a +37 V	III	B
	2b +20 V	III	C
	3a -150 V	III	A
	3b +150 V	III	A
	4 -12 V	III	A
	5a +70 V	Ri = 1 Ω	A

Burst according to IEC 61000-4-4	Limits according to EN 61326-1
Surge according to IEC 61000-4-5	Limits according to EN 61326-1
Conducted HF-Signals according to IEC 61000-4-6	Limits according to EN 61326-1

Immunity to Electromagnetic Discharge (ESD)

ESD according to ISO 10605	Limits according to DIN EN ISO 14982 (agricultural and forestry machinery) respectively DIN EN ISO 13309 (construction machinery) discharge combination 330 pF / 330 Ω Contact discharge 8 kV bipolar (metallic parts) Air discharge 15 kV bipolar Performance criteria A
ESD according to IEC 61000-4-2	Limits according to EN 61326-1

Table 9: Electromagnetic Compatibility (EMC) IS1MA360-O-BL + IS2MA090-O-BL

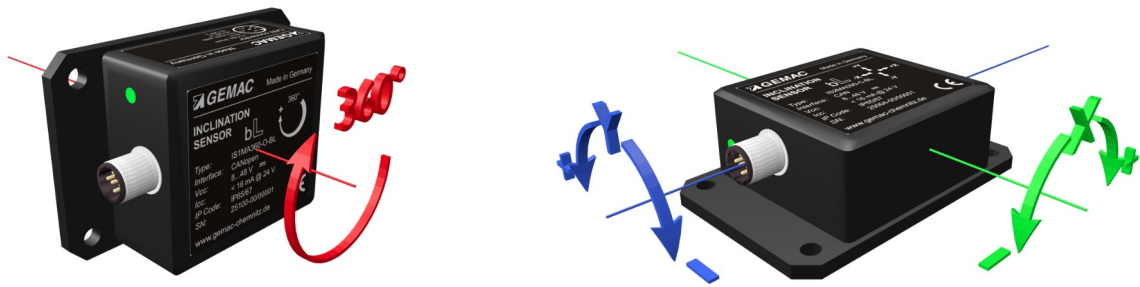


Figure 3: Measurement axes orientation - IS1MA360-O-BL + IS2MA090-O-BL aluminium housing (factory default setting)

5 Technical Data IS1BP360-O-BL + IS2BP090-O-BL

General Parameters ⁷	IS1BP360-O-BL			IS2BP090-O-BL		
Measurement range	360°			±90°		
Resolution	0.01°			0.01°		
Accuracy	Range 0...360°	typical ±0.15°	maximum ±0.25°	Range up to ±60° up to ±80°	typical ±0.10° ±0.20°	maximum ±0.20° ±0.30°
Cross Sensitivity (compensated)	-			typ. ±0.09° (±0.10 %FS) max. ±0.45° (±0.50 %FS)		
Temperature coefficient (zero point)	typ. ±0.008 °/K					
Sampling rate	80 Hz					
Cut-off frequency	typ. 20 Hz, 2 nd order (without digital filter) / 0.1 ... 25 Hz, 8 th order (with digital filter) Default digital filter: critically damped filter 8 th order at 2 Hz					
Operating temperature	-40 °C to +80 °C					
Characteristics						
Interface	CAN 2.0 A and B (11- and 29-Bit-ID) according to ISO 11898-2					
Data rates	10 k, 20 k, 50 k, 62.5 k, 100 k, 125 k, 250 k, 500 k, 800 k Bit/s, 1 MBit/s automatic detection					
Functions	Angle request, cyclical and synchronized outputs, Digital filter (critically damped (default) or Butterworth lowpass, 8 th order), configuration via object dictionary					
Electrical Parameters						
Supply voltage	8 to 48 VDC					
Current consumption	<16 mA @ 24 V					
Mechanical Parameters						
Connector CAN	2x sensor connector 5-pole M12 (male + female, loop through connection)					
Degree of protection	IP65/67					
Dimensions / Weight	Big plastic housing: 66 mm x 90 mm x 36 mm / ca. 215 g					
Reliability according EN ISO 13849-1⁸						
MTTF	663 years					
MTTFd	1263 years					

Table 10: Technical Data IS1BP360-O-BL + IS2BP090-O-BL

⁷ All indicated angle accuracies are valid after a running time of 10 minutes at 25 °C, Cut-off frequency 0.3 Hz
Absolute calibration accuracy (at 25 °C): ±0.05°

⁸ This product is a standard product and no safety part in accordance with the machinery directive. The calculation is based on an average environment temperature of 40 °C and a usage of 8760 h/a.

CANopen conformity, Certificate# CiA201108-301V402/20-0143	
CiA DS-301, v4.2.0	Application layer and communication profile
CiA DS-410	Device profile for inclinometer
CiA DSP-305	Layer setting service (LSS) and protocols
CiA DR-303-3	Indicator specification (Status-LED)
CiA AN-801	Automatic bit-rate detection
CE conformity	
EC Directives	
2014/30/EU	EMC directive
2011/65/EU	RoHS directive
Harmonized standards	
DIN EN 13309:2010-12	Construction machinery - Electromagnetic compatibility of machines with internal power supply
DIN EN 50581:2013-02	Technical documentation for the assessment of electrical and electronic products with respect to the restriction of hazardous substances

Table 11: CE and CANopen conformity IS1BP360-O-BL + IS2BP090-O-BL

Electromagnetic Compatibility (EMC)			
Transient Emissions			
Radiated disturbance / Radio field strength	Limit curves broadband and narrowband DIN EN ISO 14982 (agricultural and forestry machinery) respectively DIN EN 13309 (construction machinery) 30 ... 1000 MHz (vertical and horizontal)		
Immunity to Radio Frequency Fields (RF fields)			
Strip line according to ISO 11452-5	Limits according to DIN EN ISO 14982 (agricultural and forestry machinery) respectively DIN EN 13309 (construction machinery) 20 ... 400 MHz 200 V/m (1 kHz AM) Performance criteria A		
Anechoic chamber according to ISO 11452-2	Limits according to DIN EN ISO 14982 (agricultural and forestry machinery) respectively DIN EN 13309 (construction machinery) 200 ... 1000 MHz vertical, 100 V/m (1 kHz AM, 80 %) 800 ... 2000 MHz vertical, 100 V/m (PM, t =577 µs, period 4600 µs) Performance criteria A		
Immunity to Conducted Disturbances			
Test pulse according to ISO 7637-2 (on-board power supply 24 VDC)	Test pulse	Severity level	Performance criteria
	1 -450 V	III	C
	2a +37 V	III	B
	2b +20 V	III	C
	3a -150 V	III	A
	3b +150 V	III	A
	4 -12 V	III	A
	5a +70 V	Ri = 1 Ω	A
Immunity to Electromagnetic Discharge (ESD)			
ESD according to ISO 10605	Limits according to DIN EN ISO 14982 (agricultural and forestry machinery) respectively DIN EN 13309 (construction machinery) discharge combination 330 pF / 330 Ω Contact discharge 6 kV bipolar (metallic parts) Air discharge 8 kV bipolar Performance criteria A		

Table 12: Electromagnetic Compatibility (EMC) IS1BP360-O-BL + IS2BP090-O-BL

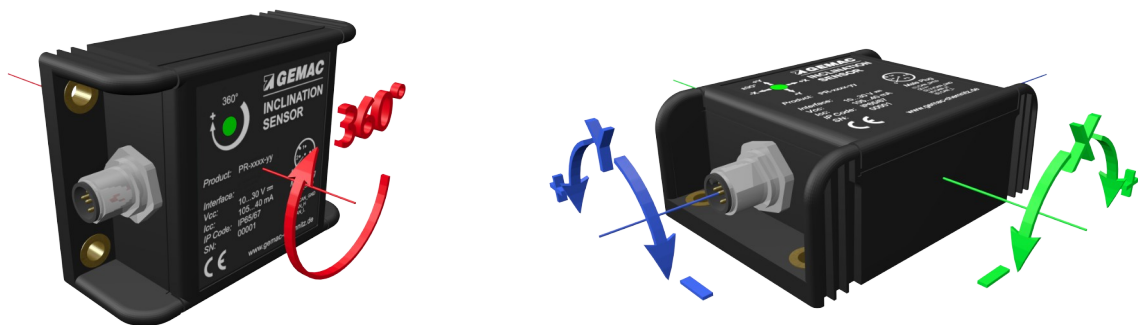


Figure 4: Measurement axes orientation IS1BP360-O-BL + IS2BP090-O-BL big plastic housing (factory default settings)

6 Technical Data IS1SP360-O-BL, IS2SP090-O-BL, IS1SP360-C-BL-10 + IS2SP090-O-BL-10

General Parameters ⁹	IS1SP360-O-BL			IS2SP090-O-BL		
Measurement range	360°			±90°		
Resolution	0.01°			0.01°		
Accuracy	Range 0...360°	typical ±0.15°	maximum ±0.25°	Range up to ±60° up to ±80°	typical ±0.10° ±0.20°	maximum ±0.20° ±0.30°
Cross Sensitivity (compensated)	-			typ. ±0.09° (±0.10 %FS) max. ±0.45° (±0.50 %FS)		
Temperature coefficient (zero point)	typ. ±0.01 °/K					
Sampling rate	80 Hz					
Cut-off frequency	typ. 20 Hz, 2 nd order (without digital filter) / 0.1 ... 25 Hz, 8 th order (with digital filter) Default digital filter: critically damped filter 8 th order at 2 Hz					
Operating temperature	-40 °C to +80 °C					
Characteristics						
Data rates	10 k, 20 k, 50 k, 62.5 k, 100 k, 125 k, 250 k, 500 k, 800 k Bit/s, 1 MBit/s autom detection					
Functions	Angle request, cyclical and synchronized outputs, Digital filter (critically damped (default) or Butterworth lowpass, 8 th order), configuration via object dictionary					
Electrical Parameters						
Supply voltage	8 to 45 VDC					
Current consumption	<16 mA @ 24 V					
Mechanical Parameters	IS1SP360-O-BL + IS2SP090-O-BL			IS1SP360-O-BL-10 + IS2BP090-O-BL-10		
Connector CAN	sensor connector 5-pole M8 (male)			0.2 m cable with 5-pole M12 (male)		
Degree of protection	IP65/67					
Dimensions / Weight	Small plastic housing: 68 mm x 36.3 mm x 20.7 mm / ca. 40 g					
Reliability according EN ISO 13849-1 ¹⁰						
MTTF	663 years					
MTTFd	1263 years					

Table 13: Technical Data IS1SP360-O-BL(-10) + IS2SP090-O-BL(-10)

9 All indicated angle accuracies are valid after a running time of 10 minutes at 25 °C, Cut-off frequency 0.3 Hz
Absolute calibration accuracy (at 25 °C): ±0.05°

10 This product is a standard product and no safety part in accordance with the machinery directive. The calculation is based on an average environment temperature of 40 °C and a usage of 8760 h/a.

CANopen conformity, Certificate# CiA201108-301V402/20-0143	
CiA DS-301, v4.2.0	Application layer and communication profile
CiA DS-410	Device profile for inclinometer
CiA DSP-305	Layer setting service (LSS) and protocols
CiA DR-303-3	Indicator specification (Status-LED)
CiA AN-801	Automatic bit-rate detection
CE conformity	
EC Directives	
2014/30/EU	EMC directive
2011/65/EU	RoHS directive
Harmonized standards	
DIN EN 61326-1:2013-07	Electrical equipment for measurement, control and laboratory use - EMC requirements - Part 1: General requirements
DIN EN 50581:2013-02	Technical documentation for the assessment of electrical and electronic products with respect to the restriction of hazardous substances

Table 14: CE and CANopen conformity IS1SP360-O-BL(-10) + IS2SP090-O-BL(-10)

Electromagnetic Compatibility (EMC)			
Transient Emissions			
Radiated disturbance / Radio field strength	Limit curves broadband and narrowband DIN EN ISO 14982 (agricultural and forestry machinery) respectively DIN EN 13309 (construction machinery) 30 ... 1000 MHz (vertical and horizontal)		
	Limits according to CISPR 11		
Immunity to Radio Frequency Fields (RF fields)			
Strip line according to ISO 11452-5	Limits according to DIN EN ISO 14982 (agricultural and forestry machinery) respectively DIN EN 13309 (construction machinery) 20 ... 400 MHz 200 V/m (1 kHz AM) Performance criteria A		
Anechoic chamber according to ISO 11452-2	Limits according to DIN EN ISO 14982 (agricultural and forestry machinery) respectively DIN EN 13309 (construction machinery) 200 ... 1000 MHz vertical, 100 V/m (1 kHz AM, 80 %) 800 ... 2000 MHz vertical, 100 V/m (PM, t = 577 μs, period 4600 μs) Performance criteria A		
Radio Frequency Fields according to IEC 61000-4-3	Limits according to EN 61326-1		
Immunity to Conducted Disturbances			
Test pulse according to ISO 7637-2 (on-board power supply 24 VDC)	Test pulse	Severity level	Performance criteria
	1 -450 V	III	C
	2a +37 V	III	B
	2b +20 V	III	C
	3a -150 V	III	A
	3b +150 V	III	A
	4 -12 V	III	A
	5a +70 V	Ri = 1 Ω	A
	5b +36 V	Ri = 0.5 Ω	A
Burst according to IEC 61000-4-4	Limits according to EN 61326-1		
Surge according to IEC 61000-4-5	Limits according to EN 61326-1		
Conducted HF-Signals according to IEC 61000-4-6	Limits according to EN 61326-1		
Immunity to Electromagnetic Discharge (ESD)			
ESD according to ISO 10605	Limits according to DIN EN ISO 14982 (agricultural and forestry machinery) respectively DIN EN 13309 (construction machinery) discharge combination 330 pF / 330 Ω Contact discharge 8 kV bipolar (metallic parts) Air discharge 15 kV bipolar Performance criteria A		
ESD according to IEC 61000-4-2	Limits according to EN 61326-1		

Table 15: Electromagnetic Compatibility (EMC) IS1SP360-O-BL(-10) + IS2SP090-O-BL(-10)

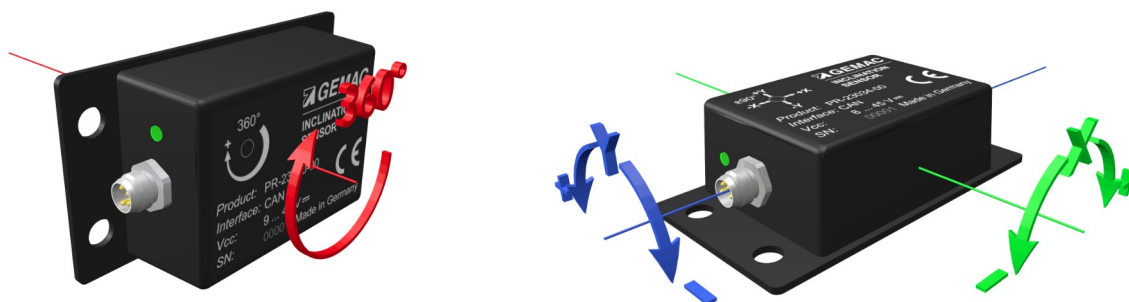


Figure 5: Measurement axes orientation IS1SP360-O-BL(-10) + IS2SP090-O-BL(-10) small plastic housing (factory default settings)



Certificate # **CiA201108-301V402/20-0143**

Vendor ID **00 00 01 59**

Manufacturer **Gemac mbH**

Device **IS2D 90 P21**

Product code: 0000 5A72h
Object 1018h/02h

Revision number: 0000 001Eh
Object 1018h/03h

Hardware version: -
Object 1009h

Software version: V03.39
Object 100Ah

EDS **PR-23154-xx.eds**

File version: 1

File revision: 0

EDS version: 4.0.2

Nuremberg, 05.08.2011


CAN in Automation GmbH
Kontumazgarten 3
DE-90429 Nürnberg
Tel.: +49-911-928819-0
Fax: +49-911-928819-79
Technical Manager

CAN in Automation GmbH
Kontumazgarten 3
90429 Nuremberg
Germany
phone: +49-911-928819-0
fax: +49-911-928819-79



Figure 6: CiA CANopen Conformance Test Certificate

The device-type IS2D 90 P21 conforms to IS2TK090-O-RL, IS2BP090-O-CL, IS2MA090-O-BL,
IS2BP090-O-BL, IS2SP090-O-BL and IS2SP090-O-BL-10.

7 Mounting

7.1 Position of Drilling Holes

The drilling holes to mount the sensor (figures 7, 8, 9, 10 und 11) are situated in the base plate of the inclination sensor.

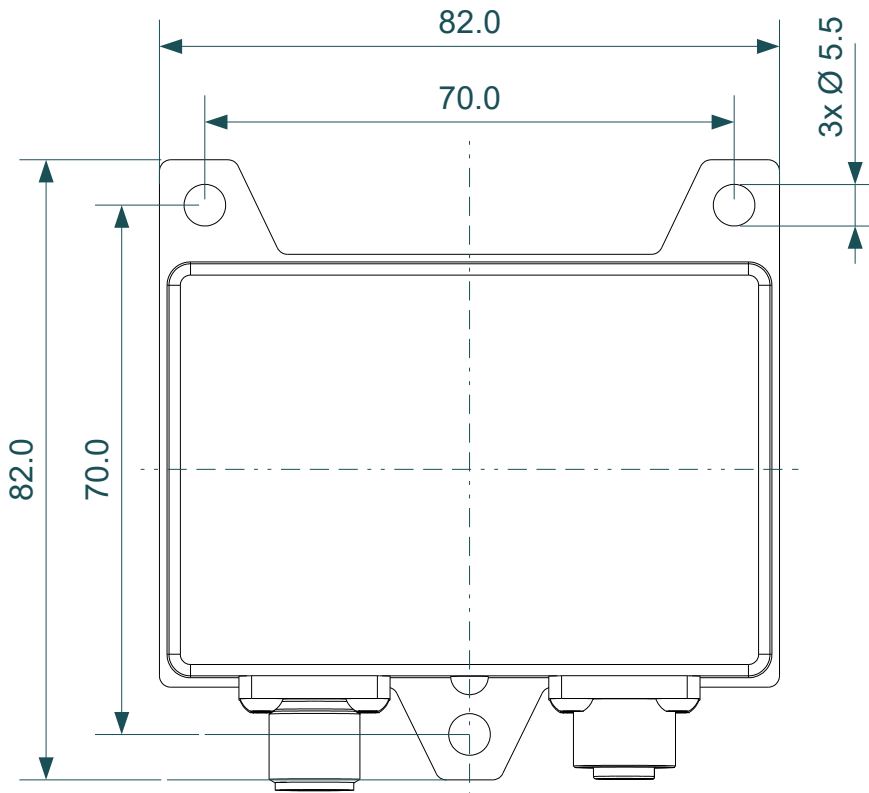


Figure 7: Dimensioned Sketch of metal housing (TK) (dimensions in mm)

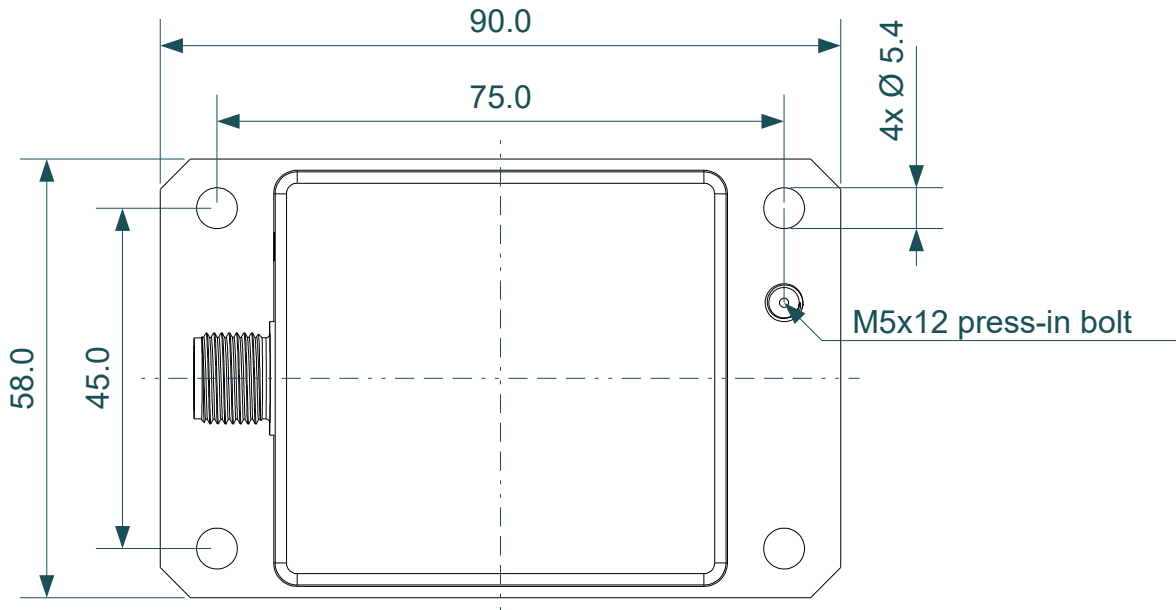


Figure 8: Dimensioned Sketch of aluminum housing (MA) (dimensions in mm)

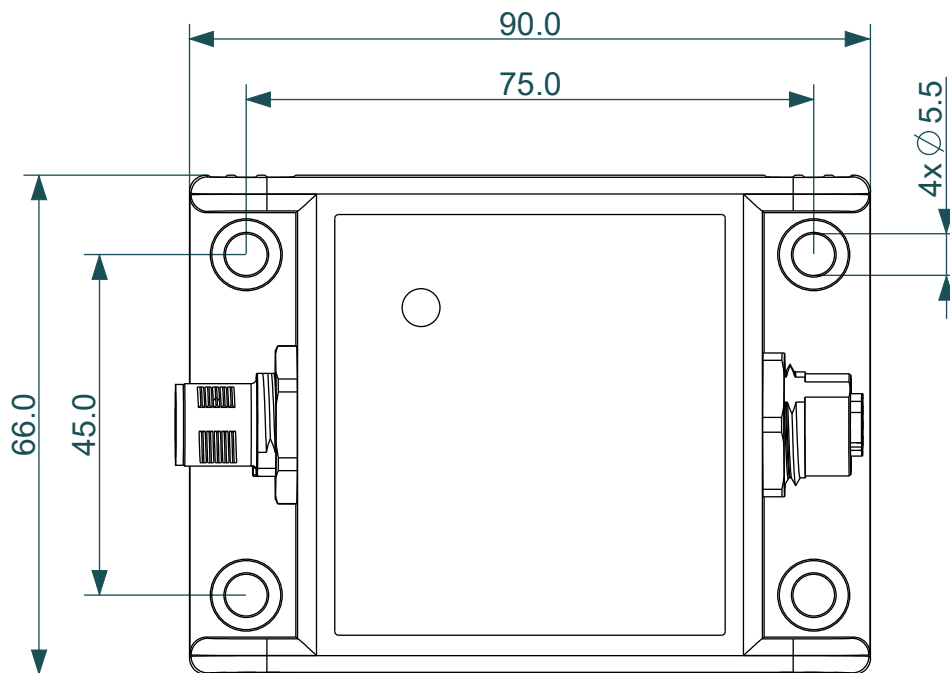


Figure 9: Dimensioned Sketch of big plastic housing (BP) (dimensions in mm)

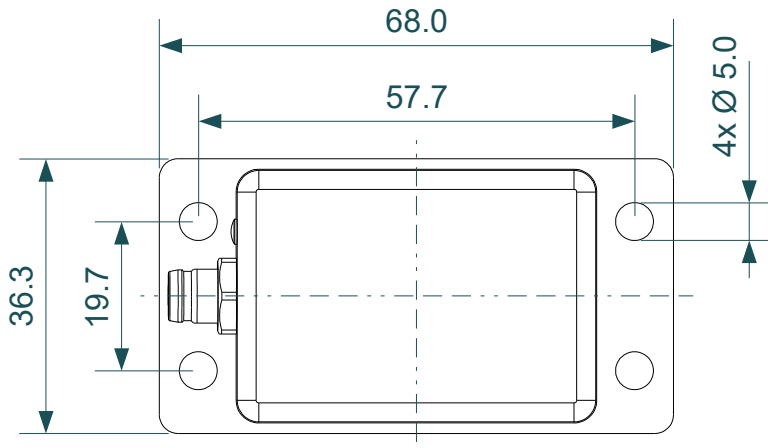


Figure 10: Dimensioned Sketch of small plastic housing (SP) with M8 connector (dimensions in mm)

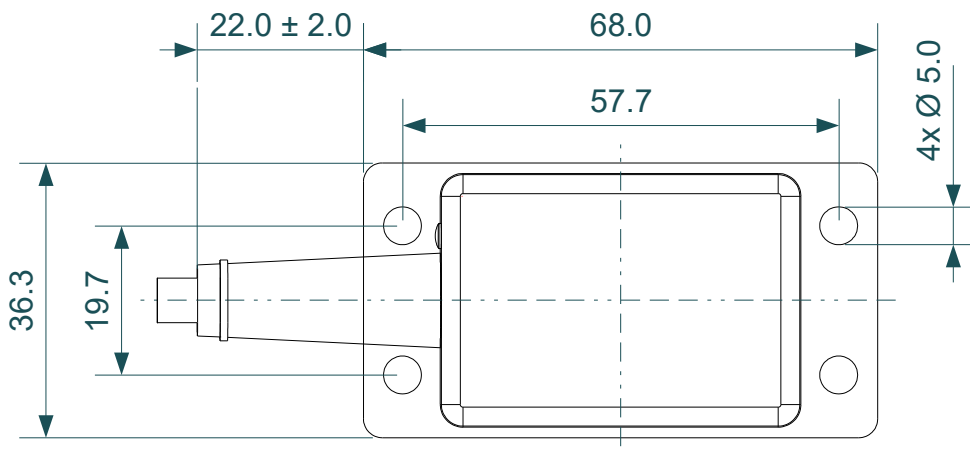


Figure 11: Dimensioned Sketch of small plastic housing (SP) with cable (dimensions in mm)

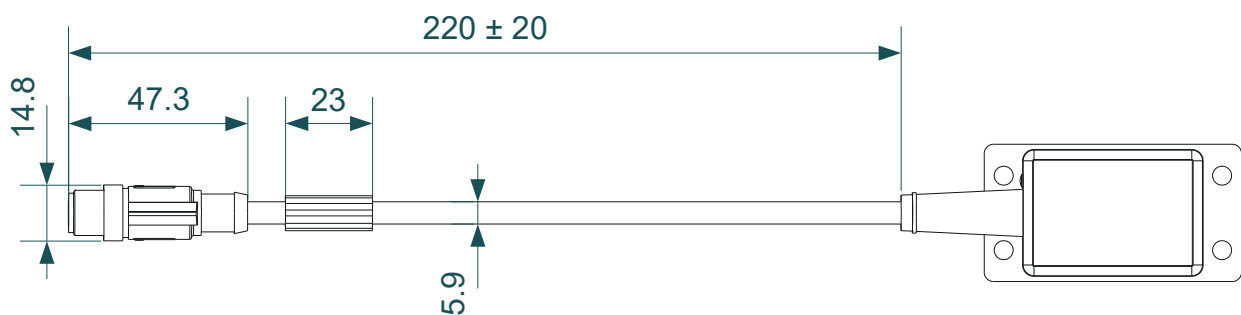


Figure 12: Dimensioned Sketch of connection cable small plastic housing (SP) (dimensions in mm)

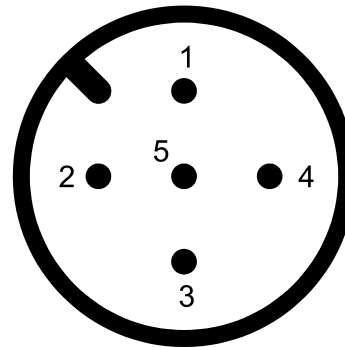
8 Connection

8.1 Connector Pin Out

The inclination sensors ISxTKxxx-O-RL, ISxBPxxx-O-CL, ISxMAxxx-O-BL, ISxBPxxx-O-BL and ISxSPxxx-O-BL-10 are equipped with a common 5-pole round plug M12 (A-coded). The types ISxTKxxx-O-RL, ISxBPxxx-O-CL and ISxBPxxx-O-BL are additionally equipped with a 5-pole round female connector (A-coded). The pin allocation fulfills CiA DR-303-1 (13 + 14).

Pin	Signal	Allocation
1	CAN_SHLD	Shield
2	V+	Supply voltage (+24 V)
3	V-	GND / 0 V / V-
4	CAN_H	CAN_H bus line
5	CAN_L	CAN_L bus line

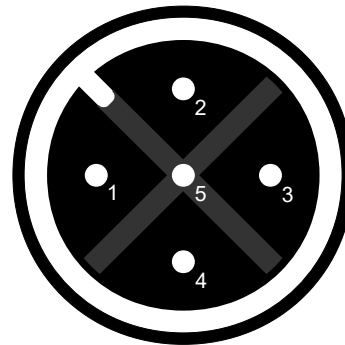
Figure 13: M12 Plug Connector Pin Out CAN Bus



(View from the outside)

Pin	Signal	Allocation
1	CAN_SHLD	Shield
2	V+	Supply voltage (+24 V)
3	V-	GND / 0 V / V-
4	CAN_H	CAN_H bus line
5	CAN_L	CAN_L bus line

Figure 14: M12 Female Connector Pin Out CAN Bus

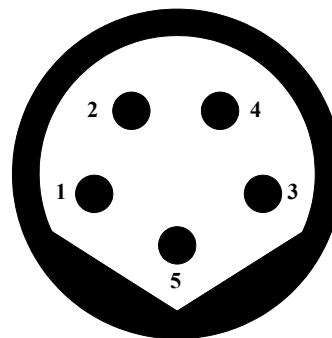


(View from the outside)

The inclination sensors IS1SP360-O-BL and IS2SP090-O-BL are equipped with a common 5-pole round plug M8 (B-coded). The pin allocation fulfills DeviceNet specification DSE-016-010 (15).

Pin	Signal	Allocation
1	CAN_SHLD	Shield
2	V+	Supply voltage (+24 V)
3	CAN_H	CAN_H bus line
4	V-	GND / 0 V / V-
5	CAN_L	CAN_L bus line

Figure 15: M8 Plug Connector Pin Out CAN Bus



(View from the outside)

8.2 Bus-Termination Resistor

The inclination sensors do **not** contain an internal termination resistor.

9 Function Description

9.1 Overview of Function

The inclination sensors IS1xx360-O-xL(-10) and IS2xx090-O-xL(-10) contain a standardized CANopen interface according to CiA DS-301 and a device profile according to CiA DSP-410. All measured values and parameters are accessible through the object dictionary (OD). The individual configuration can be saved in the internal permanent memory (EEPROM). The following CANopen functions are available:

- One transmission data object (TPDO1) dynamically mappable in four possible operating modes:
 - Individual request via remote transmit request message frame (RTR)
 - Cyclic transmission at defined intervals
 - Event-controlled transmission on inclination change
 - Synchronous transmission after receiving a SYNC message frame
- One Service Data Object (Default SDO)
- Error messages by Emergency Object (EMCY) with support of the
 - General Error Register
 - Manufacturer specific status register (Manufacturer Status)
 - List of errors (Pre-defined Error Field)
- Heartbeat and Nodeguarding / Lifeguarding monitoring mechanisms
- Store and load function of all parameters (Store and Load Parameter Field)
- Condition and error information by two-colored LED (according to CiA DR-303-3)

Further manufacturer and profile specific characteristics exist in addition to the CiA DS-301 functionality:

- Configurable cut-off frequency (digital filter)
- Configuration of the minimum angle change for TPDO1 transmit event
- Direction switch of the inclination value
- Configurable zero point of the inclination value
- Setting of the Node-ID as well as the baud rate via LSS service according to CiA DSP-305
- Automatic baud rate detection according to CiA AN-801

10 CANopen Interface

10.1 CANopen Structure

CANopen is a CAN-based open protocol standard in automation and was standardized in association with “CAN in Automation” (CiA). Like virtually all field buses CANopen is based also on the ISO/OSI 7-layer model. The protocol makes use of the CAN bus as a transmission medium and defines the elements for network management, the use of the CAN identifier (message address), the temporal behavior on the bus, the type of data transfer and application profiles. This is to ensure that CANopen devices from different manufacturers can be combined.

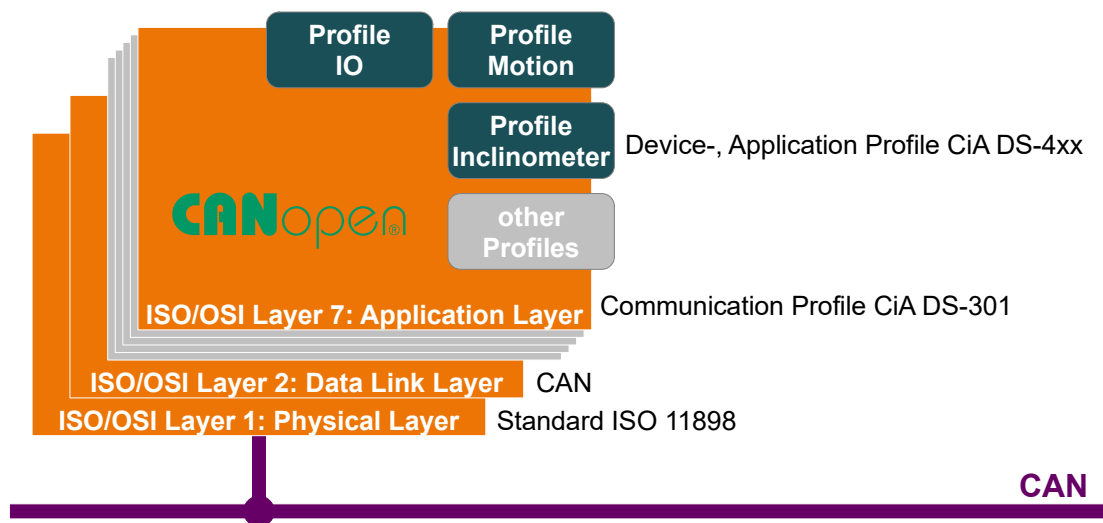


Figure 16: CANopen Structure

CANopen describes the ISO / OSI layer 7 (application layer) as a communication profile that was specified in the CiA standard CiA DS-301. The standard defines the method of communication for all devices consistently. In addition, more device and application profiles for specific classes of devices and applications in the CiA standard DS-4xx are defined.

10.2 CANopen Device Model

The exchange of data between CANopen devices is realized via data objects. The CANopen communication profile thus provides for the following types of objects. The process data objects (PDO) are high-priority messages used for the exchange of process data. Access to the object dictionary of a device is done via the service data objects (SDOs). Network management objects are used to control the state machine of the CANopen device and to monitor the nodes. Furthermore, there are special objects for error messages (Emergency), Synchronization (SYNC) and time stamp. Every CANopen device has a CANopen object dictionary, in which the parameters for all CANopen objects are registered.

10.3 COB-IDs

The CAN identifier of the communication objects is determined according to the Pre-defined connection set at each reset (communication, application and hardware reset), depending on the selected Node-ID. Table 16 shows the calculation base with the default values (Node-ID = 10).

Communication object (COB)	Calculation of the COB-ID	Default value (Node-ID = 10)
NMT	0h	0h
SYNC	80h	80h
EMCY	80h + Node-ID	8Ah
TPDO1	180h + Node-ID	18Ah
Default SDO (Client > Server)	600h + Node-ID	60Ah
Default SDO (Server > Client)	580h + Node-ID	58Ah
Heartbeat	700h + Node-ID	70Ah

Table 16: Calculation of the COB-IDs for Pre-defined Connection Set

10.4 Network Management: NMT

17 shows the NMT state machine of a CANopen device. After **Initialization** the device automatically goes into the state **Pre-Operational**. The device sends a **Boot-Up Message**. In this state it can be configured via the object dictionary. The service data objects (SDO) are already active. The process data objects, however, are still locked.

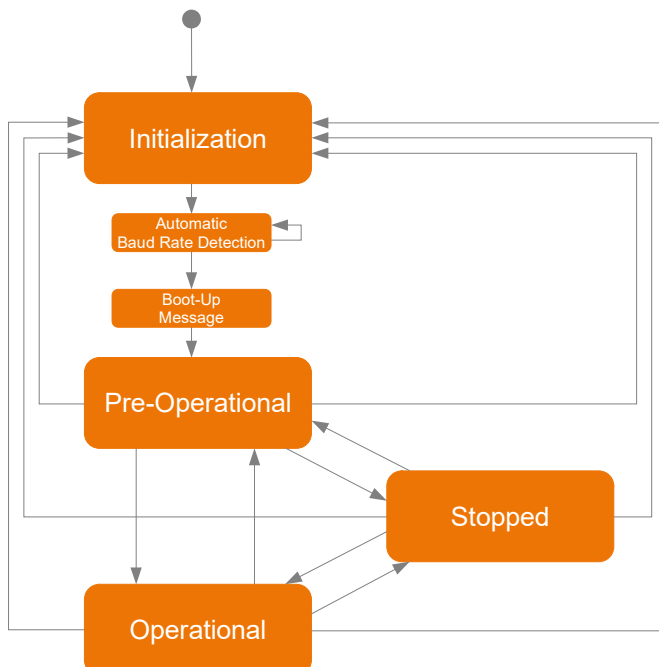


Figure 17: NMT State diagram

By sending the CAN message "Start Remote Node" the unit will go into the state **Operational**. Now the process data objects are active. In **Stopped** state, no communication with the exception of Nodeguarding and Heartbeat is possible.

10.5 Process Data: PDO (TPDO1)

Each inclination sensor has exactly one transmit process data object (TPDO). The TPDO contains the current values of inclination (axial or longitudinal and lateral). The PDO mapping of the measured values is dynamically adjusted. The default mapping is shown in Table 17/18.

Data part of the CAN Frame of the TPDO1							
Byte0	Byte1	Byte2	Byte3	Byte4	Byte5	Byte6	Byte7
Inclination value axial (OV: 6010h)		unused					

Table 17: TPDO1 Default mapping Type: IS1xx360-O-xL(-10)

Data part of the CAN Frame of the TPDO1							
Byte0	Byte1	Byte2	Byte3	Byte4	Byte5	Byte6	Byte7
Inclination value longitudinal (X-Axis, OV: 6010h)		Inclination value lateral (Y-Axis, OV: 6020h)		unused			

Table 18: TPDO1 Default mapping Type: IS2xx090-O-xL(-10)

10.5.1 PDO Communication Types

10.5.1.1 Individual Request (Polling)

The TPDO1 can be requested at any time by transmitting a remote-transmit request message frame.

10.5.1.2 Cyclic Transmission

The cyclic transmission of the TPDO1 is activated if the entry 1800h/05h (interval time in milliseconds) contains a value greater than 0. Furthermore, the entry 1800h/02h (transmission type) must contain the value 254 (asynchronous, manufacturer-specific). In this case, the inclination sensor will transmit the TPDO1 cyclically at the set period interval when in the OPERATIONAL state.

10.5.1.3 Synchronous Transmission

The synchronous transmission is used to get inclination values from more than one sensor at the same time. Therefore CANopen provides a SYNC object - a CAN message without user data - transmitted with high priority on the bus. This SYNC object is transmitted from a bus node (usually the master) cyclically at fixed intervals. All inclination sensors read their current value after every n^{th} reception of the SYNC object and then transmit the TPDO1 directly as soon as the bus permits. For this the entry 1800h/02h (Transfer Type) must contain the value $n = 1 \dots 240$.

10.5.1.4 Event-controlled transmission on inclination change (manufacturer specific)

The bus load from PDOs can be reduced if the TPDO1 is only transmitted when an appropriate angle change has occurred. This function can only be configured in the manufacturer-specific part of the object directory under index 3001h. To this end, the entry 1800h/02h (transmission type) must contain the value 254 (asynchronous, manufacturer-specific).

10.6 Service Data: SDO

The parameters, listed in the object dictionary, are read and written through Service Data Objects (SDOs). As shown in Table 19, every object can directly be addressed over a 16-bit index. In addition, each index has an 8-bit subindex that allows an additional choice within an index. The 8 bytes of the SDOs are placed in the data area of the CAN message.

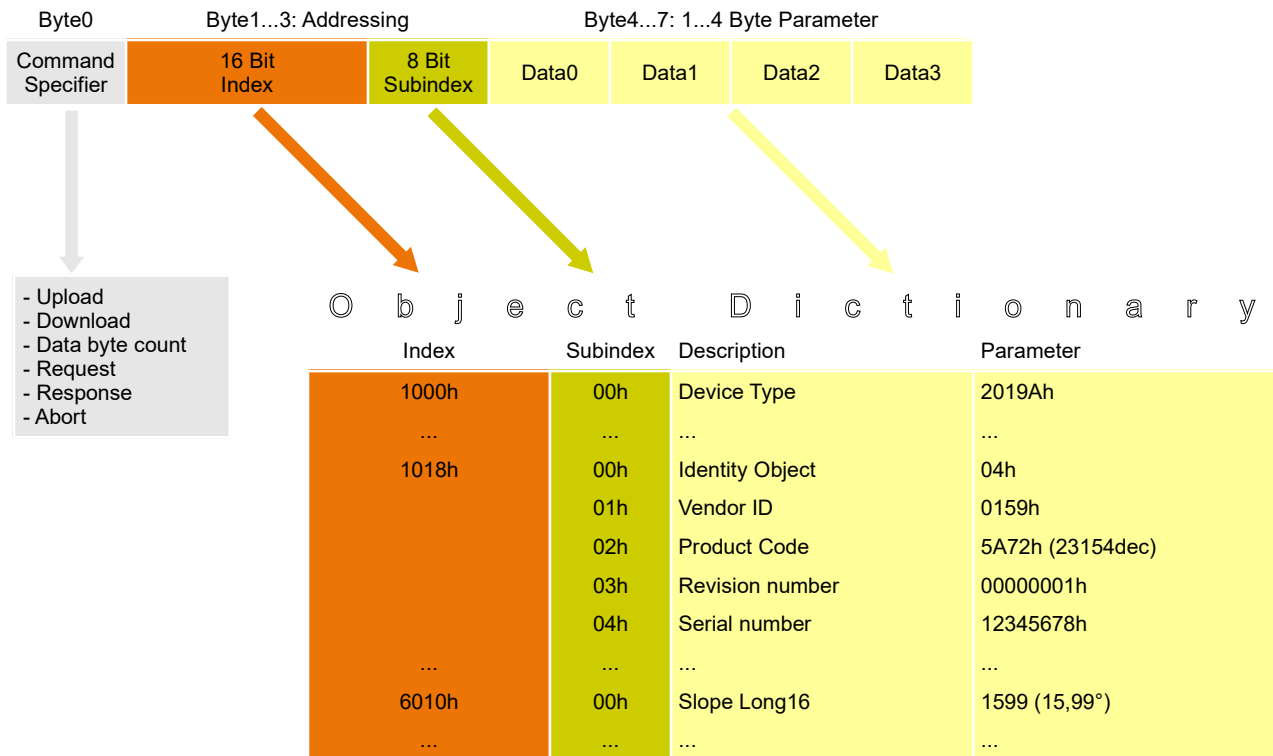


Figure 18: SDO Protocol – Access to Object Dictionary

10.7 Object Dictionary

The object directory contains all data objects that are accessible from the outside and affect the behavior of communication, application and status machines. It is divided into three parts:

- Communication specific Part (Index: 0x1000 – 0x1FFF)
- Manufacturer specific Part (Index: 0x2000 – 0x5FFF)
- Profile specific Part (Index: 0x6000 – 0x9FFF)

All parameters in the object dictionary can be read and written using the standard SDO via index and sub-index.

The following sections describe all the parameters in the object dictionary of the inclination sensor with index, subindex, data type, access rights and default (factory setting). The column "Save" indicates whether a parameter in the internal volatile memory ("save" signature in OD-Write Index 1010h/01h) can be saved.

10.7.1 Communication Parameters (according to CiA DS-301)

Index	Sub-Index	Parameter	Data Type	Access	Default Value	Save
1000h	0	Device Type (Device profile 410), Type IS1xx360-O-x(-10) / IS2xx090-O-xx(-10)	UNS32	const	1019Ah/2019Ah	
1001h	0	Error Register	UNS8	ro	0	
1002h	0	Manufacturer Status Register	UNS32	ro	0	
1003h	Pre-defined Error Field					
	0	Number of Errors entries	UNS32	rw	0	
	1..5	Error Code (oldest error on highest index)	UNS32	ro	0	
1005h	0	COB-ID Sync Message	UNS32	rw	80h	
1008h	0	Manufacturer Device Name	VSTR	const	{dep. on type}	
100Ah	0	Manufacturer Software Version („Vxx.yy“)	VSTR	const	{dep. on type}	
100Ch	0	Guard Time (Multiple of 1 ms)	UNS16	rw	0	x
100Dh	0	Life Time Factor	UNS8	rw	0	x
1010h	Store Parameters (Signature: 's','a','v','e' - 65766173h at SubIndex 1...4)					
	0	Largest supported SubIndex	UNS32	ro	4	
	1	Save all Parameters (OV: 0x1000-0x9FFF)	UNS32	rw	1	
	2	Save Communication Parameters (OV: 0x1000-0x1FFF)	UNS32	rw	1	
	3	Save Application Parameters (OV: 0x6000-0x9FFF)	UNS32	rw	1	
	4	Save Manufacturer Parameters (OV: 0x2000-0x5FFF)	UNS32	rw	1	
1011h	Restore Default Parameters (Signature: 'l','o','a','d' - 64616F6Ch at SubIndex 1...4)					
	0	Largest supported SubIndex	UNS32	ro	4	
	1	Restore all Default Parameters (OV: 0x1000-0x9FFF)	UNS32	rw	1	
	2	Restore Communication Default Parameters (OV: 0x1000-0x1FFF)	UNS32	rw	1	
	3	Restore Application Default Parameters (OV: 0x6000-0x9FFF)	UNS32	rw	1	
	4	Restore Manufacturer Default Parameters (OV: 0x2000-0x5FFF)	UNS32	rw	1	
1014h	0	COB-ID Emergency Message	UNS32	ro	80h + Node-ID	
1015h	0	Inhibit Time Emergency (multiple of 100 µs)	UNS16	rw	0	x
1017h	0	Producer Heartbeat Time (multiple of 1 ms, 0 inactive)	UNS16	rw	0	x
1018h	Identity Object					
	0	Largest supported SubIndex	UNS8	ro	4	
	1	Vendor-ID (Manufacturer ID: GEMAC Chemnitz GmbH)	UNS32	ro	159h	
	2	Product Code	UNS32	ro	{dep. on type}	
	3	Revision number	UNS32	ro	{dep. on type}	
	4	Serial number	UNS32	ro	{dep. on type}	
1200h	Server SDO1 Parameter					
	0	Largest supported SubIndex	UNS8	ro	2	
	1	COB-ID Client > Server	UNS32	ro	600h + Node-ID	
	2	COB-ID Server > Client	UNS32	ro	580h + Node-ID	
1800h	Transmit PDO1 Communication Parameter					
	0	Largest supported SubIndex	UNS8	ro	5	
	1	COB-ID	UNS32	ro	180h + Node-ID	
	2	Transmission Type (synchronous / asynchronous manufacturer specific)	UNS8	rw	1	x
	3	Inhibit Time between two TPDO Messages (multiple of 100 µs)	UNS16	rw	0	x
	4	Compatibility Entry	UNS8	rw	0	x

	5	Event Timer (Multiple of 1 ms, 0 inactive)	UNS16	rw	0	x
1A00h	Transmit PDO1 Mapping Parameter					
	0	Largest supported SubIndex	UNS8	ro	{dep. on type}	
	1	Mapping Entry 1, both types: IS1xx360-O-xx / IS2xx090-O-xx	UNS32	rw	0x60100010	x
	2	Mapping Entry 2, Type: IS1xx360-O-xx / IS2xx090-O-xx	UNS32	rw	0 / 0x60200010	x
	3	Mapping Entry 3	UNS32	rw	0	x
	4	Mapping Entry 4	UNS32	rw	0	x
	5	Mapping Entry 5	UNS32	rw	0	x
	6	Mapping Entry 6	UNS32	rw	0	x
	7	Mapping Entry 7	UNS32	rw	0	x
	8	Mapping Entry 8	UNS32	rw	0	x
1F50h	Download Program Data					
	0	Largest supported SubIndex	DOMAIN	ro	3	
	1	Area Firmware	DOMAIN	wo	-	
	2	Area Configuration 1, (Access only to manufacturers)	DOMAIN	wo	-	
	3	Area Configuration 2, (Access only to manufacturers)	DOMAIN	wo	-	
1F51h	Download Program Control					
	0	Largest supported SubIndex	UNS8	ro	3	
	1	Area Firmware	UNS8	rw	1	
	2	Area Configuration 1, (Access only to manufacturers)	UNS8	rw	1	
	3	Area Configuration 2, (Access only to manufacturers)	UNS8	rw	1	

Table 19: Communication Parameters in the Object Dictionary

10.7.1.1 Error Register (1001h)

The error register displays the general error state of the device. Each bit stands for an error group. If one bit is set (= 1), at least one error of that specific group occurred. The content of this register is transmitted in each EMCY object. The following error groups may occur:

Error Register (1001h)							
Bit7	Bit6	Bit5	Bit4	Bit3	Bit2	Bit1	Bit0
Manufacturer Specific Error	Accuracy Warning	Profile Specific Error	Communication Error	Unused			At least one active fault

Table 20: Error Register (1001h)

If the device is in error state (at least one active error) this is shown by the set Bit0 (= 1). In case of a communication error (overflow of the transmit / receive buffers, guarding errors or CAN controller in passive mode / Bus-Off) the Bit4 is set. A device profile specific error (sensor error) is shown by Bit5. The Bit7 indicates a vendor-specific error (EEPROM error). The bit "Accuracy Warning" is reset only, when the constant temperature for temperature compensation of the sensors ISxTKxxx-O-RL is reached. Only in this case the accuracy values from the technical specification in table 1 are valid.

10.7.1.2 Manufacturer Status Register (1002h)

This Register shows the recent state of all detectable errors. Here each bit represents a specific error. If a bit is set (= 1), this error is active at that moment. The lower 16 bits of this register (Bit15...Bit0) are transmitted in the first two bytes of the manufacturer specific part of each EMCY object and are also registered in

the additional information field (Bit31-Bit16) of the Pre-defined Error Field 1003h. The definitions of the individual bits in the bit fields "Device Error" and "Communication Error" are shown in Table 31.

Manufacturer Status Register (1002h)		
Bit31...Bit16	Bit15...Bit8	Bit7...Bit0
Unused	Bit field Communication Error	Bit field Device Error

Table 21: Manufacturer Status Register (1002h)

10.7.1.3 Pre-defined Error Field (1003h)

Each inclination sensor has an error list holding the last five errors. The entry 1003h/00h contains the number of error entries in the error field. The other subindices contain all occurred error states in chronological order. The last error occurred is always located at SubIndex 01h. The oldest error can be found in the largest available SubIndex (value of 1003h/00h) and will be the first to be deleted from the list with occurrence of more than five errors. If a new error occurs a new error entry is added in 1003h and the master is notified by an EMCY object. An error entry is structured as follows:

Error Entry in Pre-defined Error Field (1003h)		
Additional Information Field (Bit31...Bit16)		Error Code (Bit15...Bit0)
Bit15...Bit0 of the manufacturer status register 1002h (at the moment of error occurrence)		0x0000 Error reset or no error present
		0x5010 Sensor Error / Sensor Error X
		0x5020 Sensor Error Y
		0x8110 Overflow of the transmit / receive buffers
		0x8120 CAN Warning Limit reached
Bit field Communication error	Bit field Device Error	0x8130 Node Guard Event
		0x8140 Recovered from Bus-Off

Table 22: Error Entry in Pre-defined Error Field (1003h)

The error list can be reset completely by writing 0 to entry 1003h/00h.

10.7.1.4 Saving (1010h) and Loading (1011h) of Parameters

If parameters are changed in the object dictionary those changes will take effect immediately. To ensure the changed parameters are still active after Reset they have to be saved in the internal EEPROM. By writing the signature „save“ (65766173h) to the entry 1010h/01h all the current parameters of the object dictionary will be saved in the internal permanent memory.

The object dictionary can be reset to its default settings by writing the signature „load“ (64616F6Ch) into the entry 1011h/01h. By doing this the factory parameters are written in the permanent memory. After a „Reset Application“ (NMT command) or a hardware reset the changes will take effect (a „Reset Communication“ (NMT command) effects the communication parameters only).

By writing the signature on SubIndex: 02h, 03h or 04h, it is possible to store or load only parts of the object directory.

10.7.1.5 Transmit PDO1 – Transmission Type (1800h)

The entry 1800h/02h can be used to define how the transmission of the PDO is triggered.

Transmit PDO1 - Transmission Type (1800h/02h)	
Transmission Type	Description
1...240	Synchronous (cyclic) Transmission after each 1...240 reception of a SYNC message only „Synchronized Transmission“ via SYNC possible
253	Transmission with RTR only
254	Asynchronous, manufacturer-specific „Cyclic Transmission“ and/or „Transmission on Inclination Change“ activated by appropriate configuration

Table 23: Transmit PDO1 - Transmission Type (1800h/02h)

10.7.2 Manufacturer Specific Part

Index	Subindex	Parameter	Data type	Access	Default value	Save
2002h	0	Automatic Bus-Off Recovery	BOOL	rw	0	x
3000h	Digital Filter Settings					
	0	Largest supported SubIndex	UNS16	ro	2	
	1	Filter type (0=off, 1=Butterworth, 2=critical damped)	UNS16	rw	2	x
	2	Cut-off frequency digital filter	UNS16	rw	2000	x
3001h	TPDO1 Transmission on Inclination Change, Type IS1xx360-O-xL(-10)					
	0	Largest supported SubIndex	UNS16	ro	2	
	1	Enable/Disable (1/0) transmission on inclination change	UNS16	rw	0	x
	2	Minimum inclination change for axial axis (multiple of °/100)	UNS16	rw	100	x
3001h	TPDO1 Transmission on Inclination Change, Type IS2xx090-O-xL(-10)					
	0	Largest supported SubIndex	UNS16	ro	3	
	1	Enable/Disable (1/0) transmission on inclination change	UNS16	rw	0	x
	2	Minimum inclination change for longitudinal (X) axis (multiple of °/100)	UNS16	rw	100	x
	3	Minimum inclination change for lateral (Y) axis (multiple of °/100)	UNS16	rw	100	x
5555h	Reserved index (access for manufacturer only)					

Table 24: Manufacturer Specific Part of the Object Dictionary

10.7.2.1 Automatic Bus-Off Recovery (2002h)

This property determines the behavior of the inclination sensor when it is in the state Bus-Off. If enabled, the sensor, which is in Bus-Off state may become error-active (no longer Bus-Off) with its error counters both set to zero after having monitored 128 occurrences of 11 consecutive recessive bits on the bus.

If disabled, the inclination sensor remains in Bus-Off state.

10.7.2.2 Digital Filter Settings (3000h)

The inclination sensor offers the possibility to suppress the influence of external disturbing vibrations. The internal lowpass digital filters (8th order) are programmable down to 0.1 Hz. The sensor has two digital filters that can be selected according to the application of the sensor.

Filter	Adjustable frequency range	Applications
Butterworth	0,1 Hz ... 25 Hz	Static inclination measurement with high damping to vibration
Critically damped	0,1 Hz ... 8 Hz	Inclination measurement in applications that requires a certain dynamism, without overshoot at angle changes with good damping

Table 25: Filter selection

Through the entry 3000h/02h the filter type will be selected. The cut-off frequency is programmable through the object 3000h/02. Values for the cut-off frequency are allowed between 100 (= 0.1 Hz) and 25000/8000 (= 25 Hz/8 Hz).

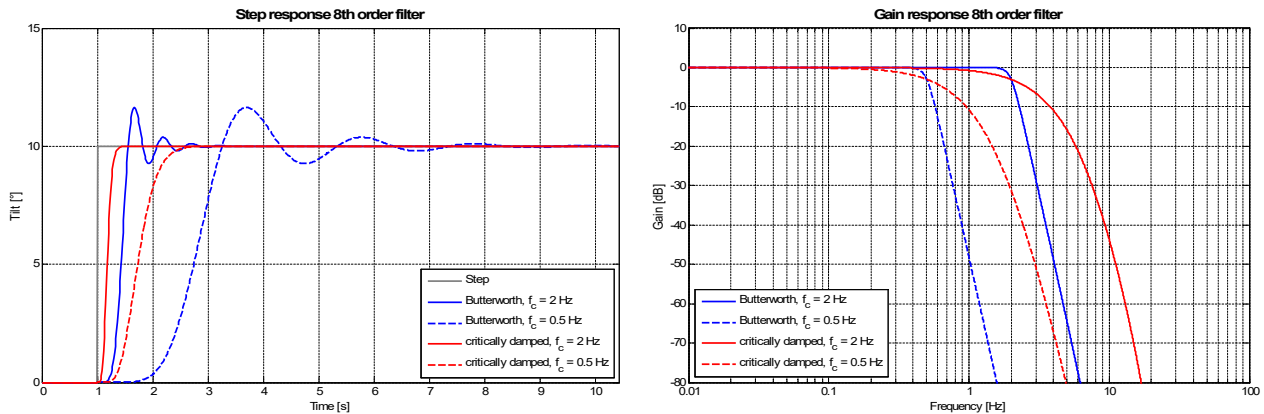


Figure 19: Impulse and amplitude response of the two filters

10.7.2.3 TPDO1 Transmission on Inclination Change (3001h)

Through the entry 3001h/01h the event controlled transmission of the TPDO1 on inclination change can be enabled (= 1) or disabled (= 0). For the activation the transmission type of TPDO1 must be set to “Asynchronous, manufacturer-specific” (1800h/02h = 254).

SubIndices 02h and 03h offer the separated setting of the minimum necessary inclination change for the longitudinal (X) and lateral (Y) axis. These two angle values are mentioned in °/100 (100fold angle value) and can be set freely from 1 = 0.01° to maximum.

If this function is enabled the inclination sensor outputs the TPDO1 object in the state OPERATIONAL in case of inclination changes of the longitudinal and/or the lateral axis greater than set under 3001h/02h and 03h. During operation the angle difference between the recent inclination value and the last one sent by the TPDO1 is permanently calculated and checked. With each change to the state OPERATIONAL the inclination sensor posts the recent position by the TPDO1 object, too (only if 3001h/01h = 1).

Remarks:

If small inclination differences are set under 3001h/02h and 03h it is recommended to enable the digital filter (index 3000h) to reduce the influence of vibrations and the frequent output of the TPDO1.

10.7.3 Device Profile Specific Part (according to CiA DS-410)

Index	Sub-Index	Parameter	Data type	Access	Default value	Save
6000h	0	Resolution (multiple of 0,001°)	UNS16	ro	10	
6010h	0	Inclination value longitudinal (X-axis, 100fold angle value in °)	INT16	ro	-	
6011h	0	Operating Parameter longitudinal (Inversion, Zero Point Adjustment)	UNS8	rw	0	x
6012h	0	Preset Value longitudinal (X) Axis	INT16	rw	0	x
6013h	0	Offset Value longitudinal (X) Axis	INT16	rw	0	x
6014h	0	Differential Offset Value longitudinal (X) Axis	INT16	rw	0	x
6020h	0	Inclination value lateral (X-axis, 100fold angle value in °)	INT16	ro	-	
6021h	0	Operating Parameter lateral (Inversion, Zero Point Adjustment)	UNS8	rw	0	x
6022h	0	Preset Value longitudinal (Y) Axis	INT16	rw	0	x
6023h	0	Offset Value longitudinal (Y) Axis	INT16	rw	0	x
6024h	0	Differential Offset Value longitudinal (Y) Axis	INT16	rw	0	x

Table 26: Device Profile Specific Part of the Object Dictionary

10.7.3.1 Resolution (6000h)

The resolution of all inclination sensors is constantly set to 0.01° (default: 10 * 0.001°). All angle values in the object dictionary (6010h, 6012h, 6013h, 6014h and 6020h, 6022h, 6023h, 6024h) are to be interpreted as a multiple of 0.01°.

Example:

Inclination value = -2370 x 0.01° → -23.70°

10.7.3.2 Inclination values longitudinal and lateral (6010h and 6020h)

The recent inclination values of the inclination axis are accessible by SDO access to the object dictionary (in each device state) as well as by TPDO. If Zero Point Adjustment is enabled via the operating parameters 6011h and 6021h, the inclination value is calculated as follows:

$$\text{Inclination Value} = \text{Physically Measured Inclination Value} + \text{Diff. Offset Value} + \text{Offset Value}$$

On disabled Zero Point Adjustment:

$$\text{Inclination Value} = \text{Physically Measured Inclination Value}$$

Example:

Value Range Type IS1xx360-O-xL(-10): -18000 ... +17999 → -180,00° ... +179,99° = 0 ...359,99°

Value Range Type IS2xx090-O-xL(-10): -9000 ... +9000 → - 90,00° ... + 90,00°

10.7.3.3 Operating Parameters (6011h and 6021h)

The operating parameters settings of an inclination sensor (6011h and 6021h) allow the changing of the mathematical sign of the inclination value and a Zero Point Adjustment. On Factory Default Settings, these options are disabled, i.e. the direction of the inclination value (polarity of the axis) corresponds to the one shown on the nameplate of the inclination sensor.

Operating Parameters (6011h and 6021h)							
Bit7	Bit6	Bit5	Bit4	Bit3	Bit2	Bit1	Bit0
Unused						Zero Point Adjustment 0 = /inactive 1 = active	Inversion 0 = /inactive 1 = active

Table 27: Operating Parameters (6011h and 6021h)

10.7.3.4 Zero Point Adjustment: Preset Value, Offset Value, Differential Offset Value (60x1/2/3h)

Using the values “Preset Value”, “Offset Value” and “Differential Offset Value” the adjustment of the Zero Point is possible. The Zero Point Adjustment is only active if the Bit1 in the operating parameters (6011h/6021h) is set.

Value	Object	Description
Preset Value	6012h 6022h	Preset Value for Zero Point Adjustment, value range depends on settings in object 6000h
Offset Value	6013h 6023h	Calculated Offset Value when writing to object 6012h or 6021 Calculated Offset Value = Preset Value at tacc – physically measured Inclination Value at tacc – Differential Offset Value tacc: time when accessing object (6012h,6022h)
Differential Offset Value	6014h 6024h	Additional Offset, regardless of object 6012h and 6013h / 6022h and 6023h The value you enter here will be added up directly to the inclination value.

Table 28: Zero Point Adjustment

10.8 Emergency Objects

Each inclination sensor supports EMCY objects which are transmitted in case of sensor and hardware errors. If such an error occurs the OD entries 1001h (Error Register), 1002h (Manufacturer Status Register) and 1003h (Pre-defined Error Field) are updated. After abolishment of an error, the device transmits an emergency message with the Error Reset Code 0x0000. Remaining errors are signaled in Byte2 (Error Register) and Bytes 3,4 in the Manufacturer specific error field. Once the device is error-free, it sends an emergency message which contains only zeros. The current state of the device (Pre-Operational, Operational or Stopped) is not influenced by the error states, except in case of a guarding error.

Emergency messages are sent with high priority on the bus and are always 8 bytes long. The structure of the telegram is shown in Table 29:

Emergency Object							
Byte0	Byte1	Byte2	Byte3	Byte4	Byte5	Byte6	Byte7
Emergency Error Code		Error Register (1001h)	Manufacturer Specific Error Field				
			Bit field Communication Error	Bit field Device Error	0x00	0x00	0x00

Table 29: Emergency Object

Emergency Error Codes	
0x0000	Error Reset or no Error (Error Register = 0)
0x5010	Sensor Error / Sensor Error X, Inclination value out of range
0x5020	Sensor Error Y, Inclination value out of range
0x8110	Overflow of the transmit / receive buffers, CAN messages were lost
0x8120	CAN Warning Limit reached
0x8130	Node Guard Event (The loss of the Guarding-Master has been detected)
0x8140	Recovered from Bus-Off

Table 30: Emergency Error Codes

Bit field Device Errors		
0x01	Sensor Error	type only: IS1xx360-O-xL(-10)
0x01	Sensor Error X-Axis	type only: IS2xx090-O-xL(-10)
0x02	Sensor Error Y- Axis	type only: IS2xx090-O-xL(-10)
0x80	EEPROM Error: An error occurred while saving the configuration.	
Bit field Communication Errors		
0x01	CAN Warning Limit reached (too many Error Frames)	
0x02	CAN Bus-Off State reached (An Emergency message will be transmitted after the device has recovered from Bus-Off)	
0x04	Receive Queue Overrun,	CAN messages were lost
0x08	Transmit Queue Overrun,	CAN messages were lost
0x80	Guarding Error,	The loss of the Guarding-Master has been detected. (Node Guard Event)

Table 31: Emergency: Manufacturer Specific Error Field

10.9 Failure monitoring

Since the nodes do not respond at regular intervals with the event-controlled transmission in a CANopen network, Heartbeat and Nodeguarding / Lifeguarding failure monitoring mechanisms are provided. Only one of the two monitoring methods can be active.

10.9.1 Nodeguarding / Lifeguarding

Nodeguarding is the monitoring of one or several nodes by the NMT master. The NMT master periodically sends a RTR message frame to the slave to be monitored, which responds with its status and a toggle bit. If the status or the toggle bit do not comply with the status or toggle bit expected by the guarding master or if no response is provided, the master assumes a slave error.

The node to be monitored may also use this mechanism to detect a failure of the guarding master. Therefore two parameters are used. The interval time after which the guarding master polls the inclination sensor to be monitored is the Guard Time (100Ch). Another parameter, the Life Time Factor (100Dh), defines a multiplier after which the connection is deemed to be interrupted. This time is designated as the node life time.

$$\text{„Node Life Time“} = \text{„Guard Time“} \times \text{„Life Time Factor“}$$

If the inclination sensor does not receive a guarding request from the master within the parametrized time, it also assumes a master failure, sends an emergency message frame and returns to the "Pre-Operational" state. If either of the two parameters is "0" (default setting), the master is not monitored (no Lifeguarding).

10.9.2 Heartbeat

Heartbeat is a failure monitoring mechanism which can operate without using RTR message frames. In this case, the inclination sensor cyclically transmits a heartbeat message which contains the state of the device. The master can monitor these message frames. Heartbeat is activated once a value greater than "0" is entered in the heartbeat interval time register (1017h).

Remarks:

Heartbeat has a significant influence on the bus load of the CANopen network, but produces only half the bus load of Nodeguarding / Lifeguarding.

10.10 LSS: Layer Setting Service (according to CiA DSP-305)

10.10.1 Setting of Node-ID and Baud Rate

The setting of the node address (Node-ID) and the Baud Rate is realized by LSS (Layer Setting Service). For communication between LSS Master and LSS Slave (inclination sensor) two CAN identifiers (7E5h and 7E4h) are used. Each inclination sensor has a unique 128-bit LSS address, at which it can be addressed in the CAN network. This address is composed of the three 32-bit parameters of the Identity object 1018h and the serial number:

Vendor-ID	0000 0159h	(Manufacturer ID: GEMAC Chemnitz GmbH)
Product Code	0000 5A72h	(5A72h = 23154dec = PR- 23154-30)
Revision Number	0000 001Eh	(1Eh = 30dec = PR-23154- 30)
Serial Number	xxxx xxxxh	(respective serial number of the incl. sensor → nameplate)

The default values for Node-ID and Baud Rate at delivery (factory settings) are:

Node-ID	10
Baud Rate	Automatic Baud Rate Detection

Index	Baud Rate
0	1 MBit/s
1	800 kBit/s
2	500 kBit/s
3	250 kBit/s
4	125 kBit/s
5	unused
6	50 kBit/s
7	20 kBit/s
8	10 kBit/s
9	Automatic Baud Rate Detection

Table 32: LSS Baud Rate Index according to CiA DSP-305

10.11 Automatic Baud Rate Detection (according to CiA AN-801)

The automatic baud rate detection is used to automatically adjust the baud rate of the inclination sensor on the existing baud rate in the network. After power-on the inclination sensor only listens to the CAN network without acknowledging the received messages on the bus. This operating condition is characterized by the flickering RUN-LED (see also chapter: 10.13, „Status LED (according to CiA DR-303-3)“). The sensor checks all the available baud rates. Upon reception of a valid CAN telegram, the correct baud rate is adjusted. Then the sensor starts up, sends its boot-up message and enters the Pre-Operational state. (see also 17).

Remarks:










For proper operation of the automatic baud rate detection it is necessary to receive messages from other can nodes on the bus.

10.12 Active compensation of thermal accuracy shift

The inclination sensors of ReferenceLine (ISxTKxxx-O-RL) features, in contrast to the other sensors, an active compensation of the thermal accuracy shift. This improvement is done by maintaining the sensor element at a constant temperature which is independent of the operation temperature of the inclination sensor.

10.13 Status LED (according to CiA DR-303-3)

The integrated two-color Status LED signals the recent device state (Run LED, green) as well as CAN communication errors that might have occurred (Error LED, red). The color and the flashing frequency of the LED distinguish the different device states as shown in table 33.

Status LED		
RUN LED	LED State	Description
	Off	The device is in state Reset or no power supply is connected
	Flickering	Automatic baud rate detection is currently running (active)
	Blinking	The device is in state Pre-Operational
	Single Flash	The device is in state Stopped
	On	The device is in state Operational
ERROR LED	LED State	Description
	Off	The device is in working condition
	Single Flash	CAN Warning Limit reached
	Double Flash	The loss of the Guarding-Master has been detected. (Node Guard Event)
	On	The device is in state Bus-Off

Legend:  LED off  LED on  LED flickering (50 ms on/off) Duration of /: 200 ms

Table 33: Status and Error Display of the Two-Color LED

11 Service

11.1 Calibration

Every sensor is calibrated by the manufacturer GEMAC Chemnitz GmbH as standard before delivery.

Even the highest quality sensors have to be recalibrated at certain intervals in order to continue to deliver reliable, safe and error-free measurement results. We therefore recommend regular recalibration. This shall be done exclusively by the manufacturer GEMAC GmbH.

11.2 Service

11.2.1 Reshipment

Reshipment of the sensor for calibration or repairing purposes must be executed in the original packaging or an equivalent packaging. Please indicate a short error description and your phone number for further inquiries.

11.2.2 Support

Please indicate the serial number and the firmware revision of your inclination sensor for technical support.

Manufacturer: GEMAC Chemnitz GmbH

Zwickauer Str. 227

09116 Chemnitz

Germany

Phone: +49 371 3377-0

Fax: +49 371 3377-272

Web: www.gemac-chemnitz.com

Mail: info@gemac-chemnitz.de

11.2.3 Warranty and limitation of liability

We will assume a warranty of 24 months for the sensor, commencing from the date of delivery. Any repairs which are required during this time and fall under the manufacturer's obligation to give a warranty will be performed free of charge. Any damage resulting from improper use of the device or from exceeding of the specified technical parameters is not covered by the manufacturer's obligation to give a warranty.

GEMAC Chemnitz GmbH will only be liable for consequential damage resulting from use of the product in case of deliberate action or gross negligence on its own part.

The General Terms and Conditions of GEMAC Chemnitz GmbH shall apply.

12 Sensor configuration

12.1 Inclination sensor programming adapter

With the optional inclination sensor programming adapter (starter kit ISPA2 - PR-23999-10) it is possible to adjust all inclination sensors with CAN/CANopen, current or voltage interface. The programming adapter is connected via USB to a PC. The connection of the sensors with the programming adapter is realized through various included adapter cables. The inclination sensor is supplied with power through the adapter. Except for the ISxTKxxx-C-RL there is no additional power supply necessary.

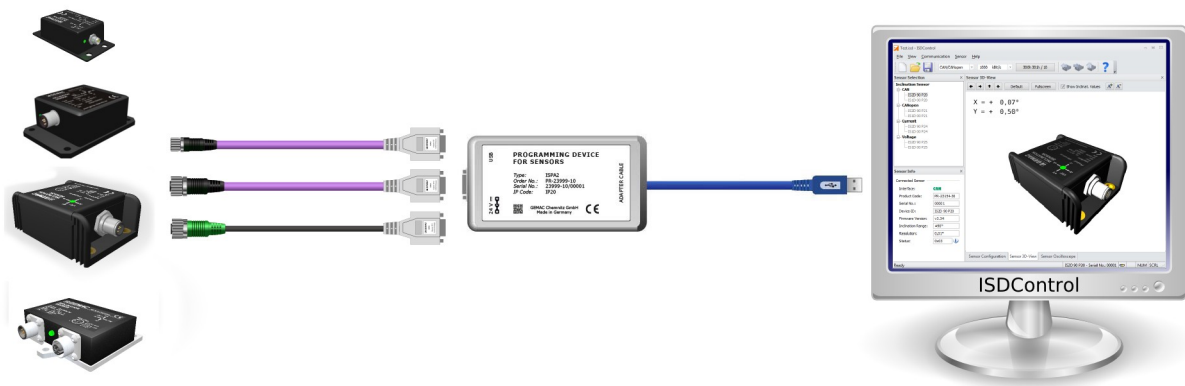


Figure 20: Starter kit

12.2 PC software ISDControl

The parametrization of all possible values is done with the PC software ISDControl, which is included in all starter kits. Each configuration can be stored in a file.

Properties:

- comfortable configuration of all parameters of the inclination sensor
- 3D imaging and display of the current angle
- Oscilloscope display of the current angle
- Firmware Download option
- Automatic inclination sensor search for unknown communication parameters

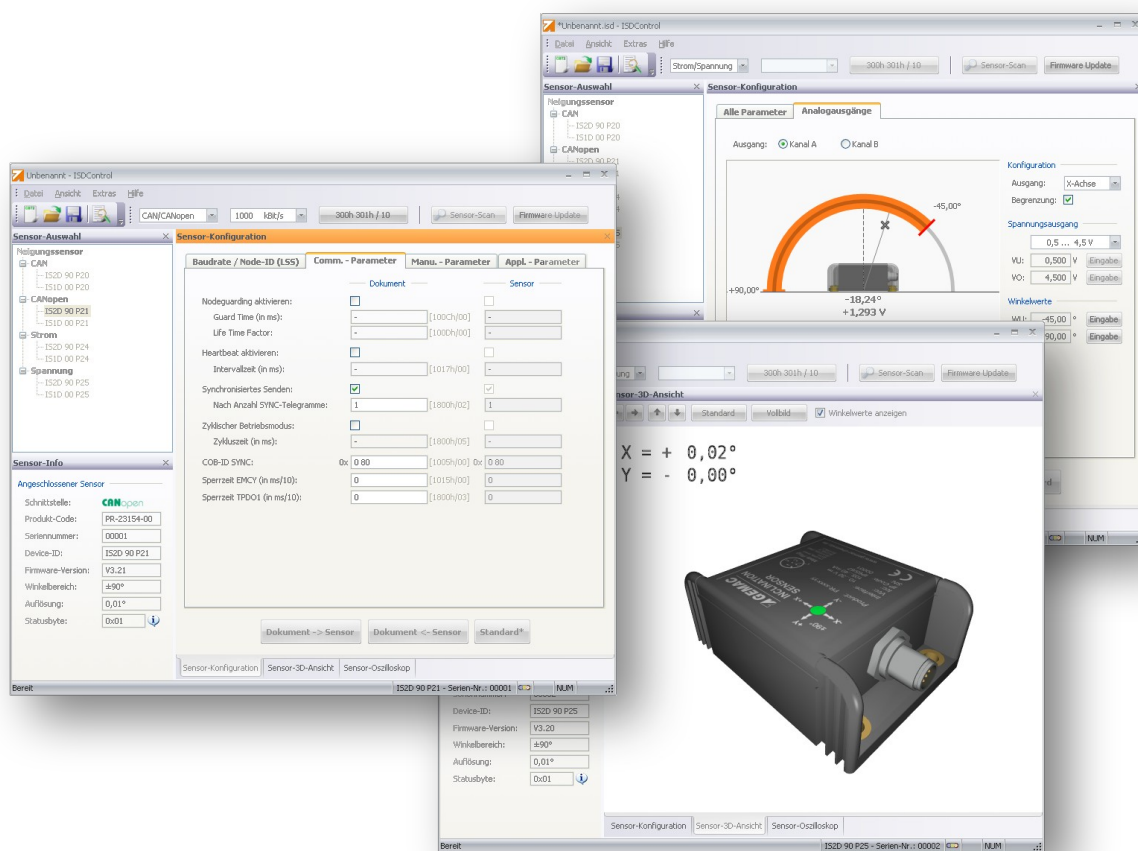


Figure 21: PC software

13 Ordering Information

Article Number	Product Type	Interface	Axes / measurement range	Housing
PR-23120-30	IS1TK360-O-RL	CANopen	1-dimensional, 360°	metal housing
PR-23124-30	IS2TK090-O-RL	CANopen	2-dimensional, ±90°	metal housing
PR-23150-30	IS1BP360-O-CL	CANopen	1-dimensional, 360°	big plastic housing
PR-23154-30	IS2BP090-O-CL	CANopen	2-dimensional, ±90°	big plastic housing
PR-25100-00	IS1MA360-O-BL	CANopen	1-dimensional, 360°	aluminium housing
PR-25104-00	IS2MA090-O-BL	CANopen	2-dimensional, ±90°	aluminium housing
PR-25150-30	IS1BP360-O-BL	CANopen	1-dimensional, 360°	big plastic housing
PR-25154-30	IS2BP090-O-BL	CANopen	2-dimensional, ±90°	big plastic housing
PR-23160-00	IS1SP360-O-BL	CANopen (M8 connector)	1-dimensional, 360°	small plastic housing
PR-23164-00	IS2SP090-O-BL	CANopen (M8 connector)	2-dimensional, ±90°	small plastic housing
PR-23160-10	IS1SP360-O-BL-10	CANopen (cable with M12 connector)	1-dimensional, 360°	small plastic housing
PR-23164-10	IS2SP090-O-BL-10	CANopen (cable with M12 connector)	2-dimensional, ±90°	small plastic housing
PR-23999-10	ISPA2	Inclination sensor programming adapter (Starter kit including programming adapter, cables and PC software)		

Table 34: Ordering Information